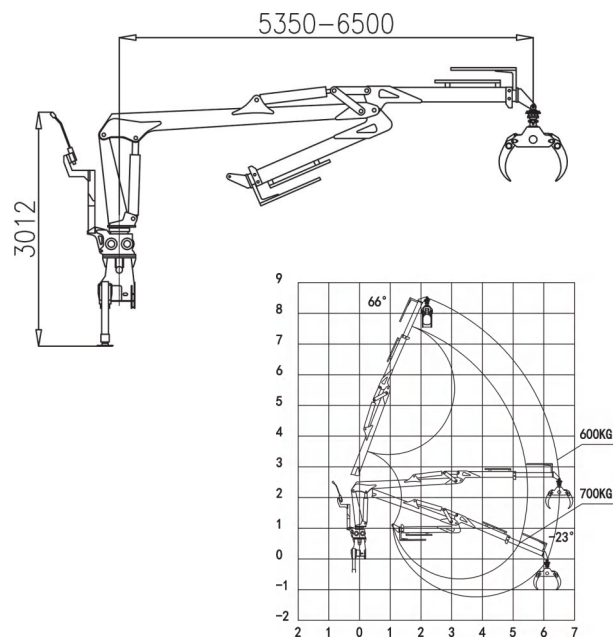
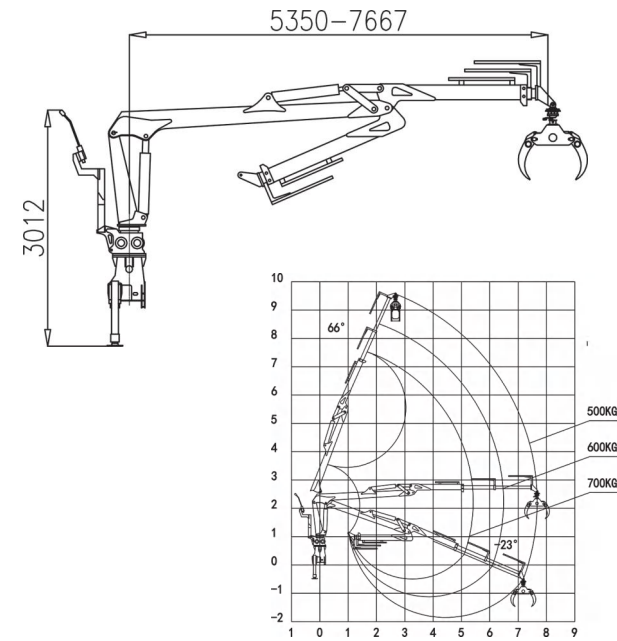


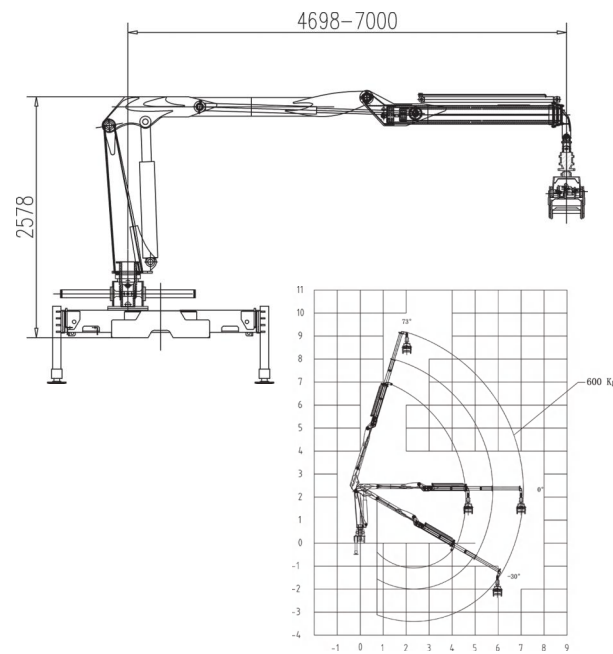
TMT 700 6.5



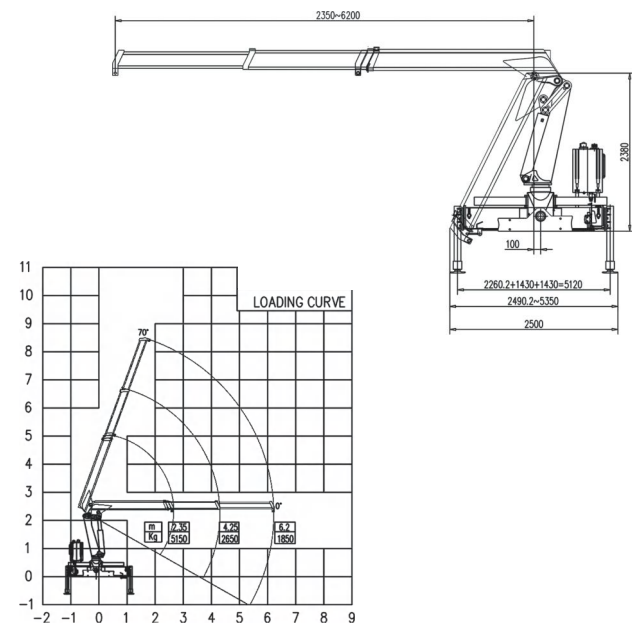
TMT 700 6.5 1



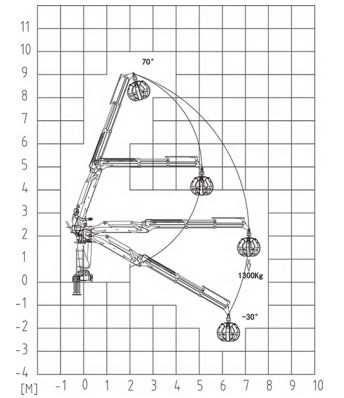
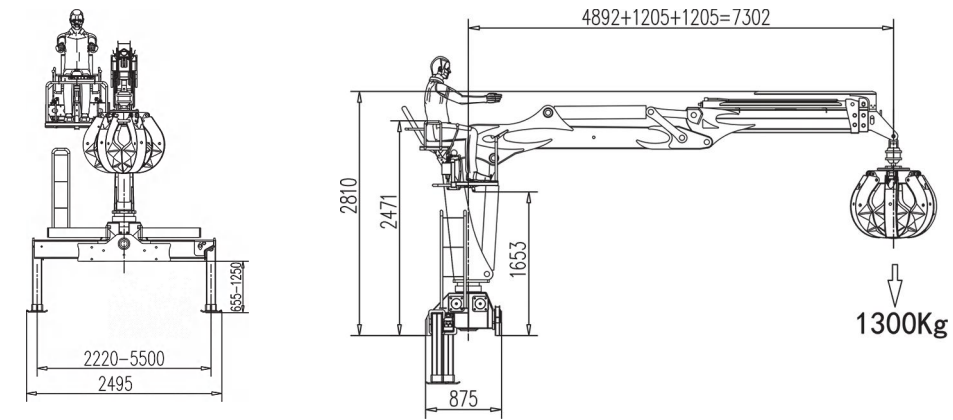
TMT 600 7



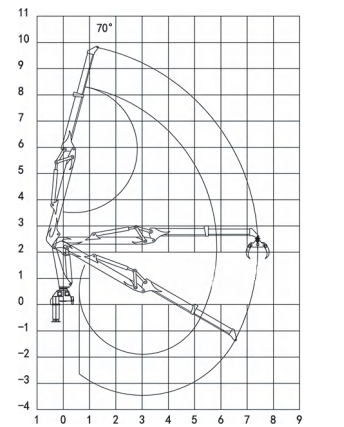
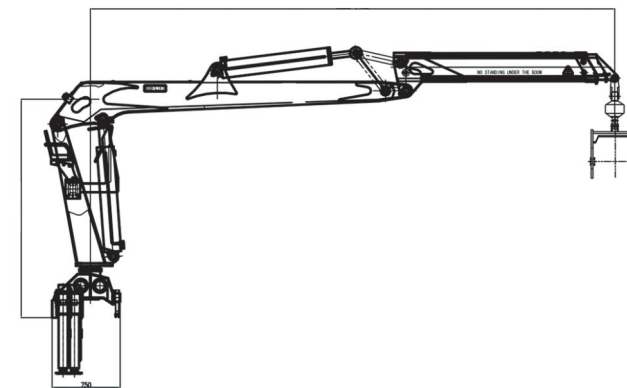
TMT 1850 6.2



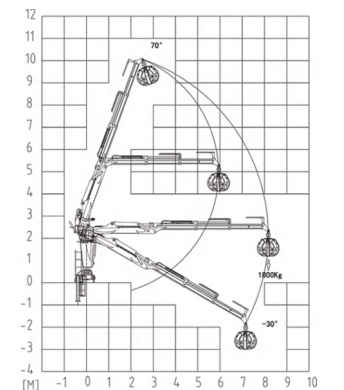
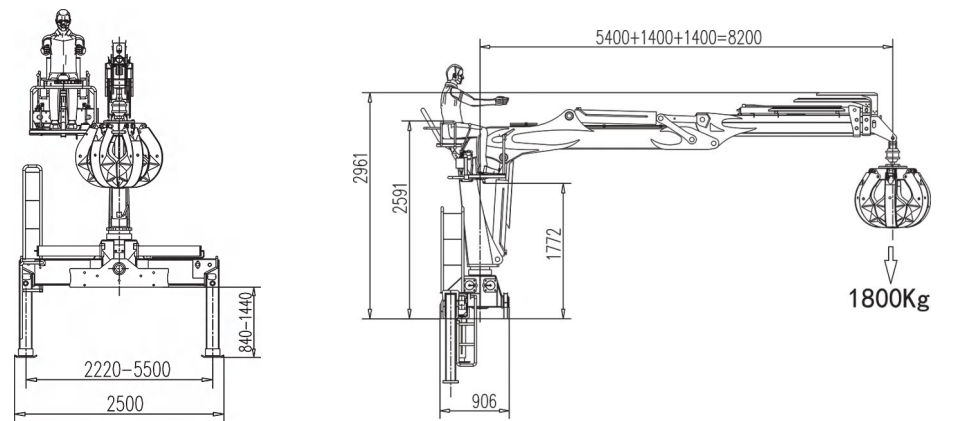
TMT 1300 12



TMT 1700 13.5



TMT 1800 16



| Item | Unit | TMT 700 6.5 | TMT 700 6.5 1 | TMT 600 7 | TMT 1850 6.2 |
|---------------------------|-------|-------------|---------------|-----------|--------------|
| Max Lifting Capacity | Kg | 700 | 700 | 600 | 1850 |
| Max Lifting Moment | Ton.m | 6.5 | 6.5 | 7 | 6.2 |
| Recommend Power | KW | 18 | 18 | 18 | 22 |
| Hydraulic System Flow | L/Min | 45 | 45 | 45 | 40 |
| Hydraulic System Pressure | MPa | 19 | 19 | 22 | 28 |
| Coil Tank Capacity | L | 60 | 60 | 60 | 100 |
| Self Weight | Kg | 1280 | 1400 | 1450 | 1800 |
| Rotation Angle | ° | 380 | 380 | 380 | 400 |
| installation space | mm | 800 | 800 | 750 | 900 |

| Item | Unit | TMT 1300 12 | TMT 1700 13.5 | TMT 1800 16 |
|---------------------------|-------|-------------|---------------|-------------|
| Max Lifting Capacity | Kg | 1300 | 1700 | 1800 |
| Max Lifting Moment | Ton.m | 12 | 13.5 | 16 |
| Recommend Power | KW | 25 | 22 | 32 |
| Hydraulic System Flow | L/Min | 60 | 80 | 80 |
| Hydraulic System Pressure | MPa | 27 | 28 | 28 |
| Coil Tank Capacity | L | 150 | 180 | 180 |
| Self Weight | Kg | 2300 | 1800 | 2700 |
| Rotation Angle | ° | 380 | 400 | 380 |
| installation space | mm | 900 | 1100 | 1000 |