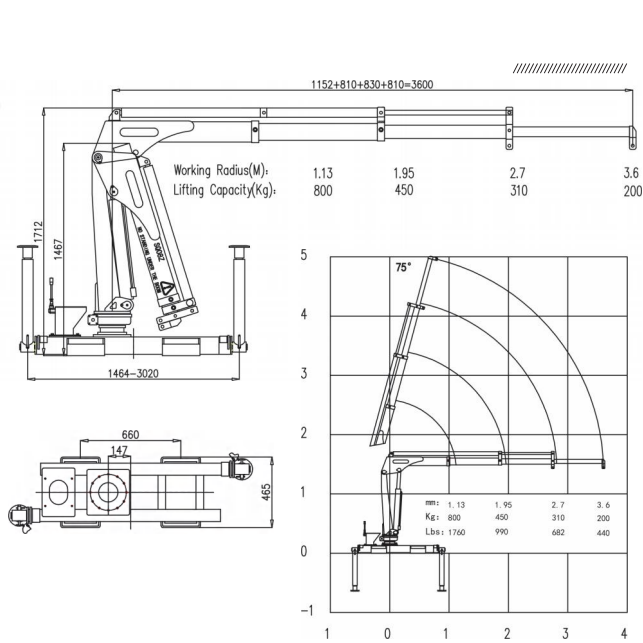
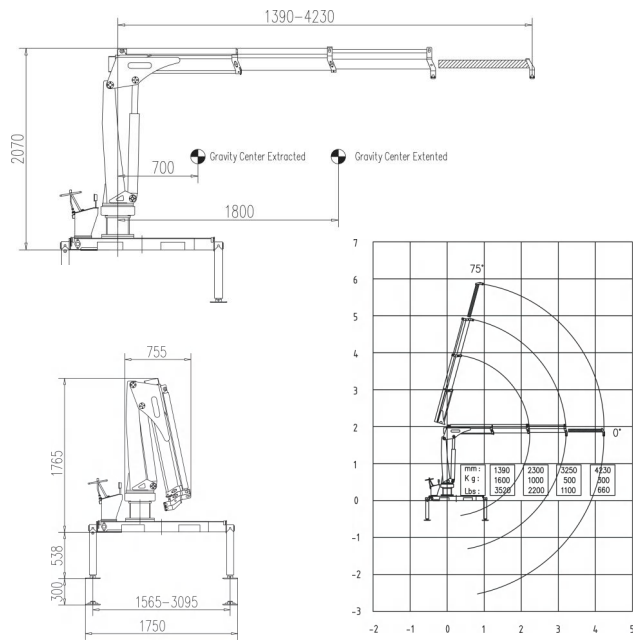


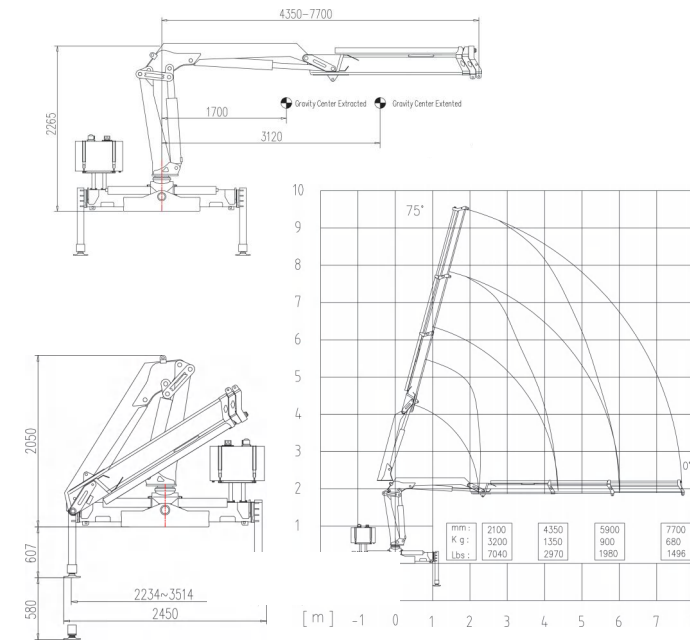
THG 800 1



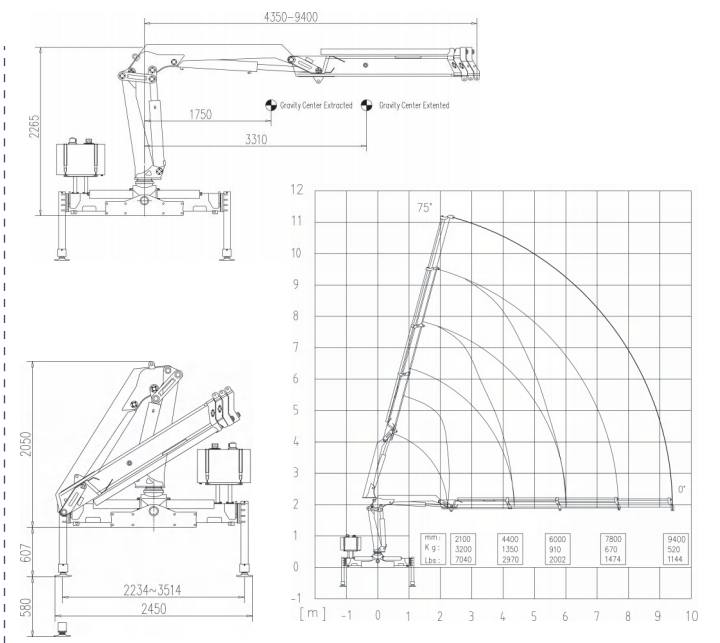
THG 1600 2.2



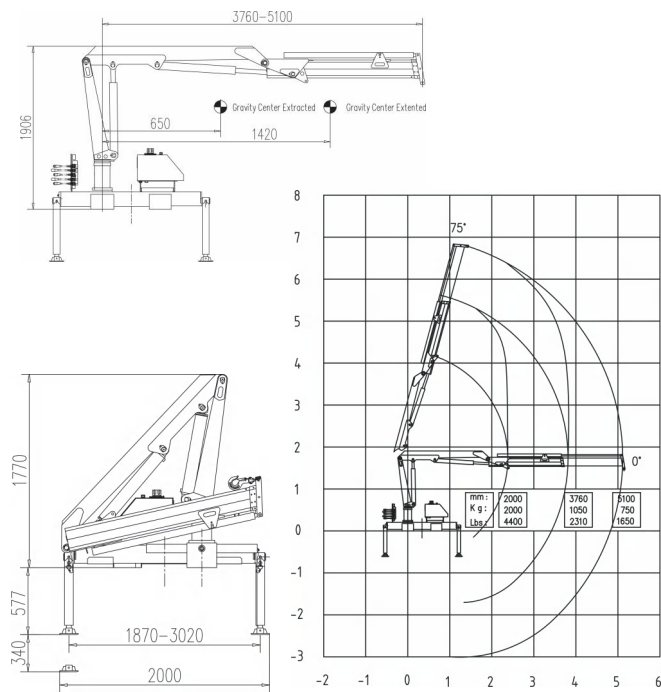
TGH 3200 6.8



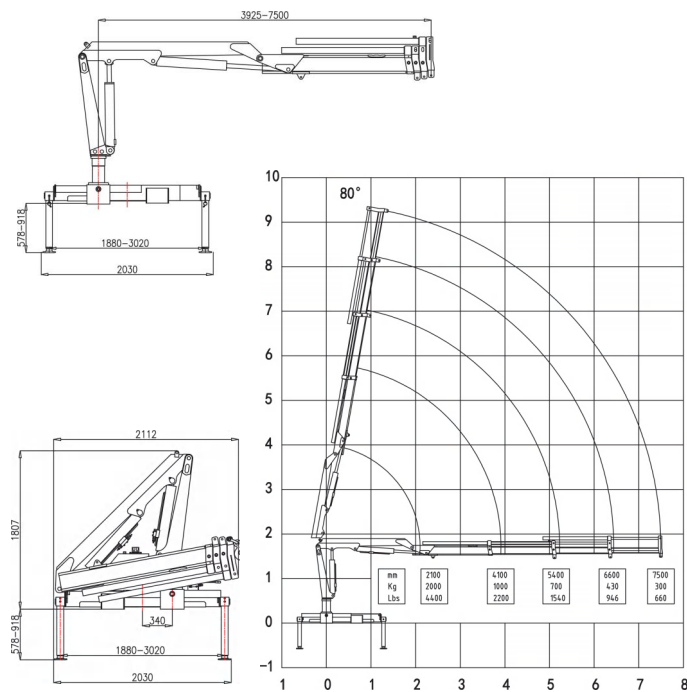
TGH 3200 6.8



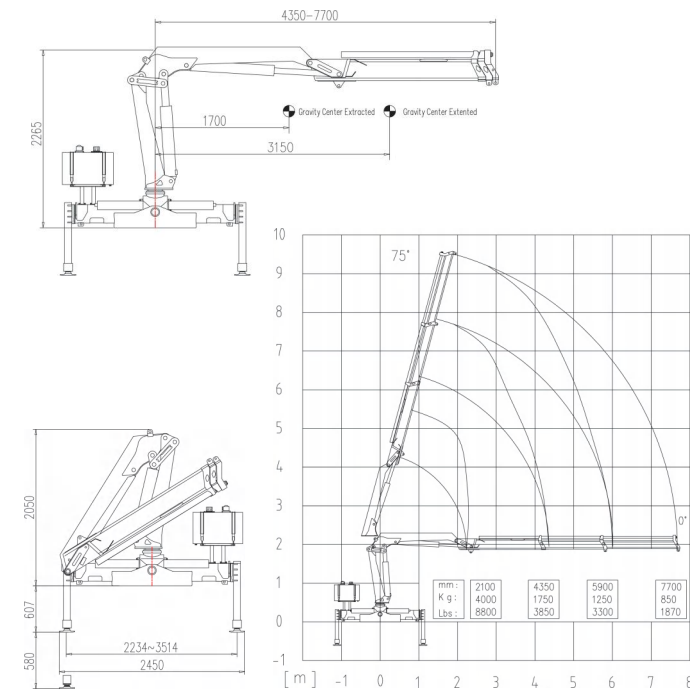
THG 2000 4.2



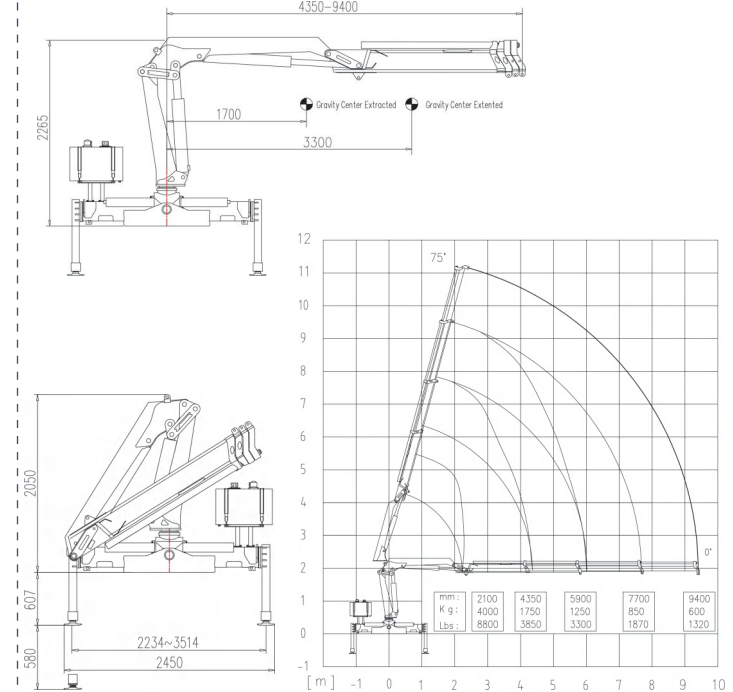
THG 2000 4.2.1



TGH 4000 8.4



TGH 4000 8.4 1



Item	Unit	THG 800 1	THG 1600 2.2	THG 2000 4.2	THG 2000 4.2.1
Max Lifting Capacity	Kg	800	1600	2000	2000
Max Lifting Moment	Ton.m	1	2.2	4.2	4.2
Recommend Power	KW	2.5	7.5	9	9
Hydraulic System Flow	L/Min	8	15	20	20
Hydraulic System Pressure	MPa	16	18	20	20
Coil Tank Capacity	L	15	25	25	25
Installation Space	mm	550	550	680	680
Self Weight	Kg	430	550	780	850
Rotation Angle	°	330	330	370	370

Item	Unit	TGH 3200 6.8	TGH 3200 6.8	TGH 4000 8.4	TGH 4000
Max Lifting Capacity	Kg	3200	3200	4000	4000
Max Lifting Moment	Ton.m	6.8	6.8	8.4	8.4
Recommend Power	KW	14	14	14	14
Hydraulic System Flow	L/Min	25	25	25	25
Hydraulic System Pressure	MPa	25	25	26	26
Coil Tank Capacity	L	60	60	60	60
Installation Space	mm	850	850	850	850
Self Weight	Kg	1285	1380	1350	1430
Rotation Angle	°	400	400	400	400