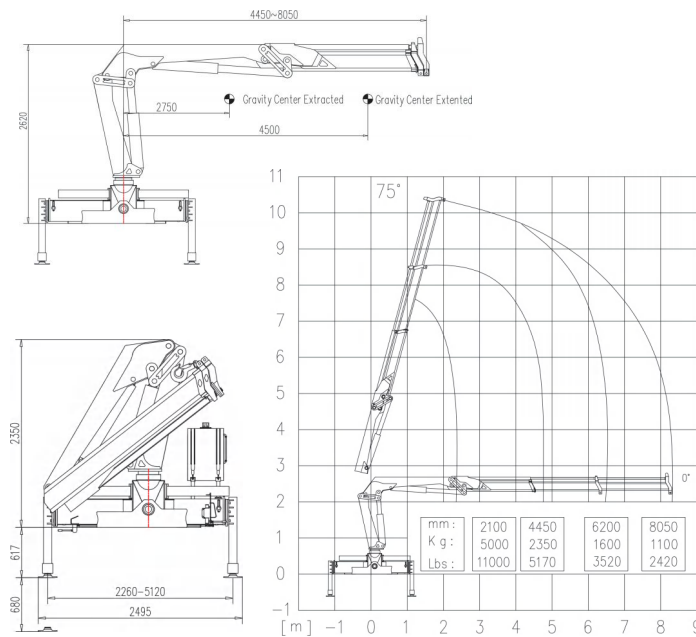
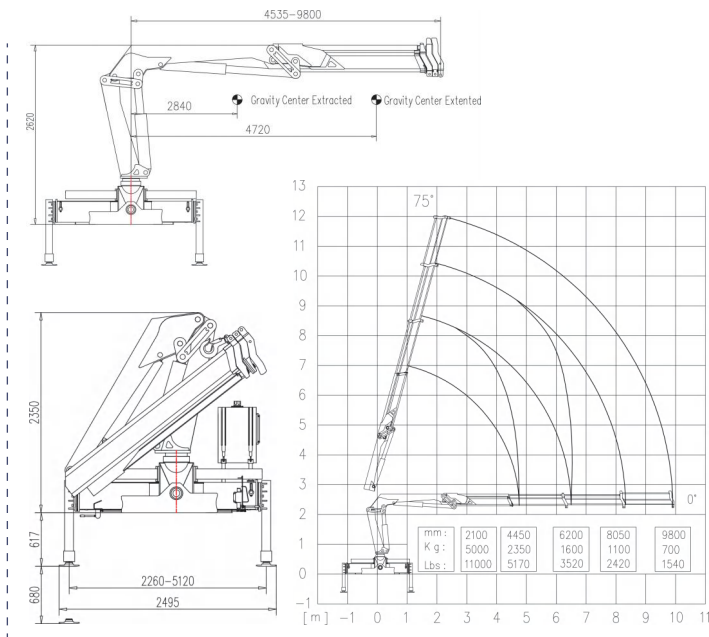


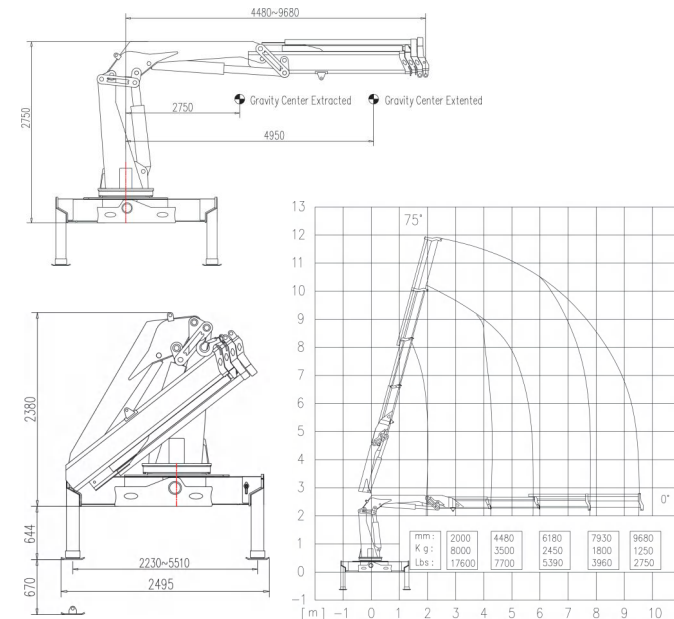
THG 5000 10.5



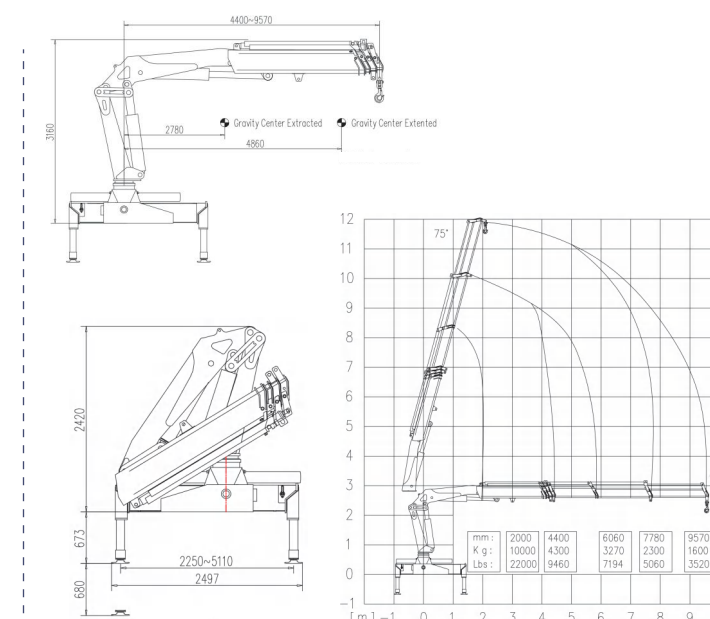
THG 5000 10.5 1



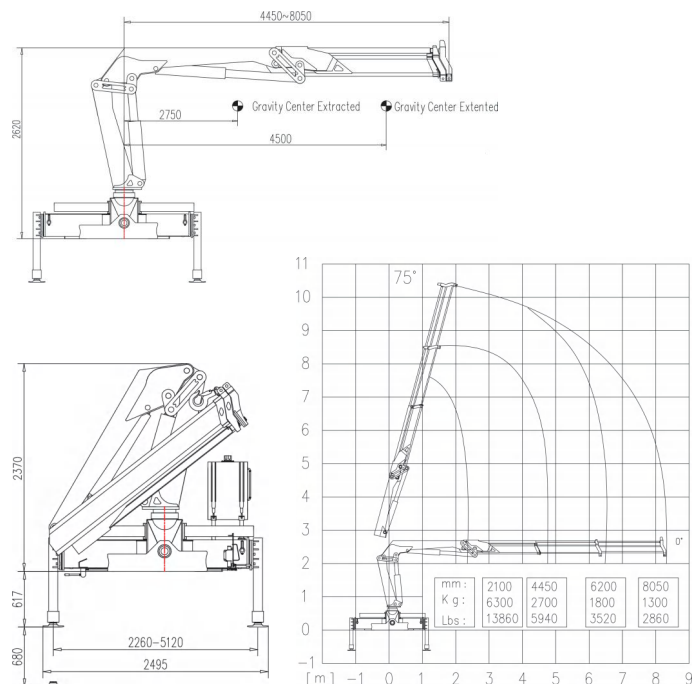
THG 8000 16



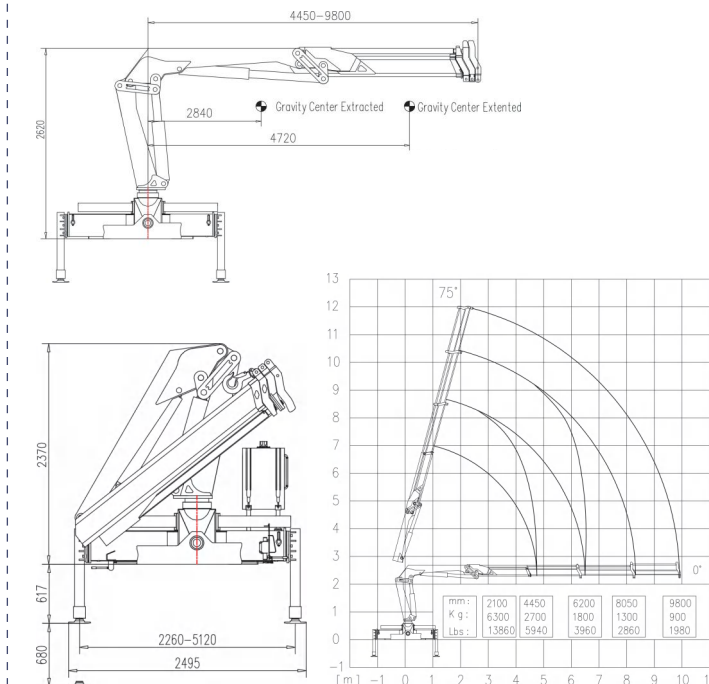
THG 10000 20



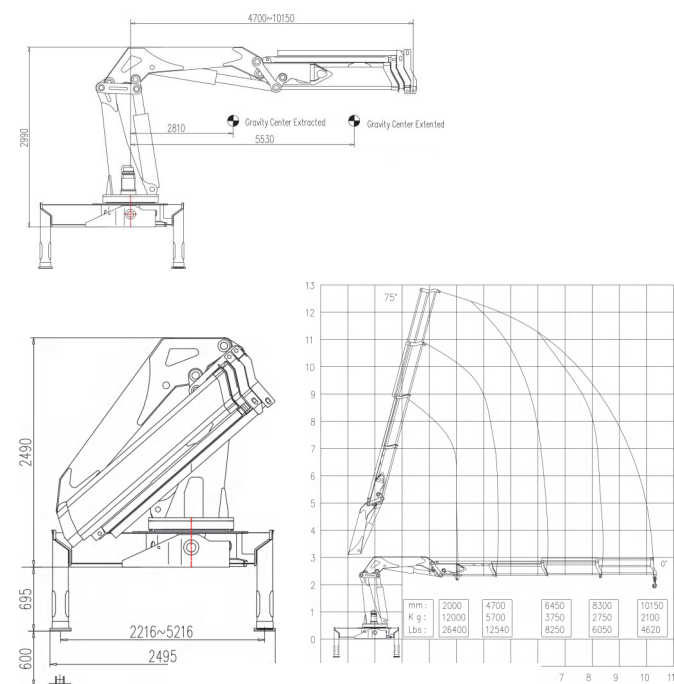
THG 6300 13



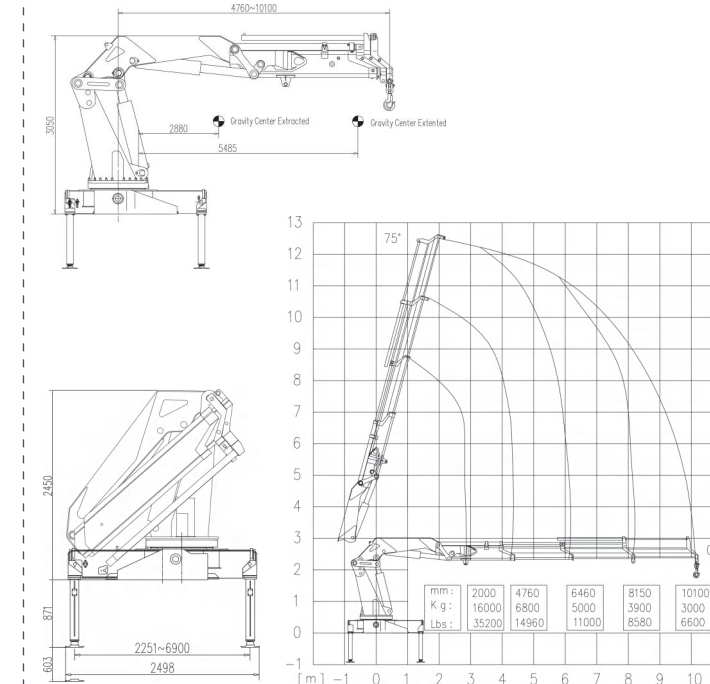
THG 6300 13 1



THG 12000 27



THG 16000 40



Item	Unit	THG 5000 10.5	THG 5000 10.5 1	THG 6300 13	THG 6300 13 1
Max Lifting Capacity	Kg	5000	5000	6300	6300
Max Lifting Moment	Ton.m	10.5	10.5	13	13
Recommend Power	KW	22	22	22	22
Hydraulic System Flow	L/Min	35	35	35	35
Hydraulic System Pressure	MPa	28	28	28	28
Coil Tank Capacity	L	100	100	100	100
Installation Space	mm	1050	1050	1050	1050
Self Weight	Kg	2150	2225	2200	2275
Rotation Angle	°	400	400	400	400

Item	Unit	THG 8000 16	THG 10000 20	THG 12000 27	THG 16000 40
Max Lifting Capacity	Kg	8000	10000	12000	16000
Max Lifting Moment	Ton.m	16	20	27	40
Recommend Power	KW	25	25	30	37
Hydraulic System Flow	L/Min	40	40	55	63
Hydraulic System Pressure	MPa	28	28	28	30
Coil Tank Capacity	L	160	160	160	240
Installation Space	mm	1150	1200	1400	1500
Self Weight	Kg	3050	3650	4600	5200
Rotation Angle	°	360°	380	360°	360°