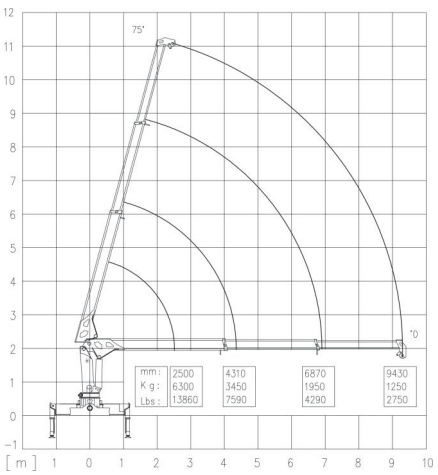
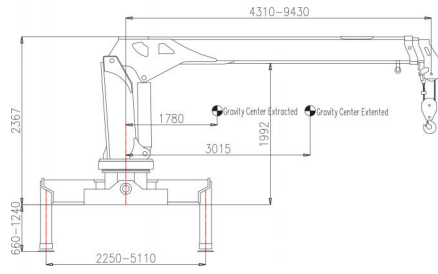
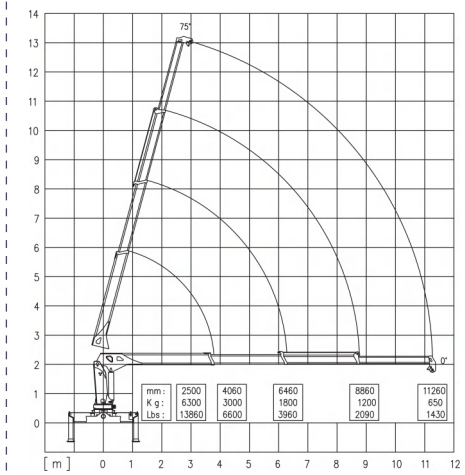
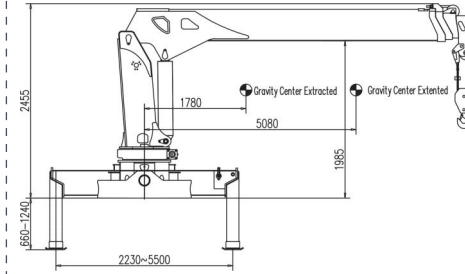


TGT 6300 16



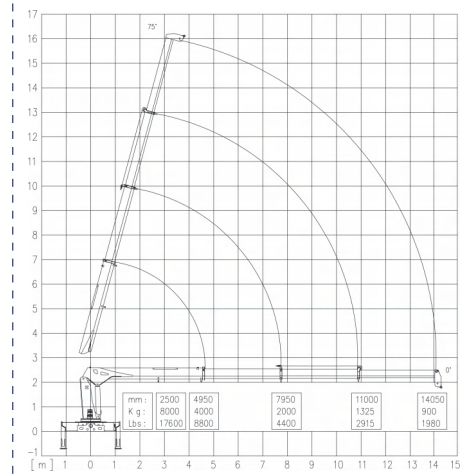
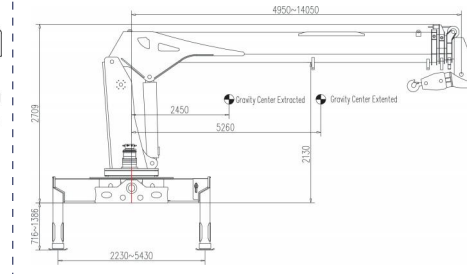
| Boom Angle | boom length (m) | | |
|------------|-----------------|-----------|-----------|
| | 4.31 | 6.87 | 9.43 |
| 0° | 4.31/3450 | 6.87/1950 | 9.43/1250 |
| 10° | 4.24/3600 | 6.76/2000 | 9.28/1300 |
| 20° | 4.05/3800 | 6.45/2100 | 8.86/1400 |
| 30° | 3.73/4100 | 5.95/2300 | 8.16/1500 |
| 40° | 3.30/4600 | 5.26/2600 | 7.22/1700 |
| 50° | 2.77/5500 | 4.41/3100 | 6.05/2000 |
| 60° | 2.15/6300 | 3.43/4000 | 4.71/2600 |
| 70° | 1.47/6300 | 2.35/5800 | 3.22/3800 |
| 75° | 1.11/6300 | 1.78/6300 | 2.44/5000 |

TGT 6300 16



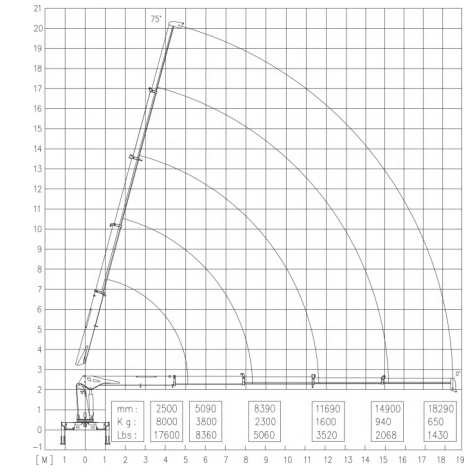
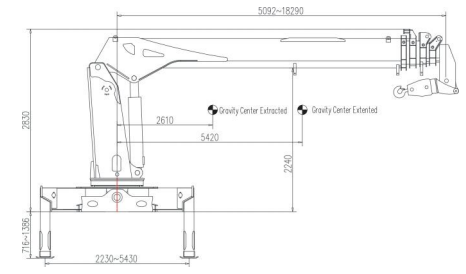
| Boom Angle | boom length (m) | | | |
|------------|-----------------|-----------|-----------|-----------|
| | 4.06 | 6.46 | 8.86 | 11.26 |
| 0° | 4.06/3600 | 6.46/1800 | 8.86/1200 | 11.26/650 |
| 10° | 4.04/3800 | 6.40/1900 | 8.76/1200 | 11.13/650 |
| 20° | 3.88/4050 | 6.13/2000 | 8.39/1300 | 10.65/700 |
| 30° | 3.60/4350 | 5.68/2200 | 7.76/1500 | 9.83/800 |
| 40° | 3.20/4850 | 5.04/2400 | 6.88/1700 | 8.72/900 |
| 50° | 2.71/5800 | 4.25/2800 | 5.79/2000 | 7.33/1000 |
| 60° | 2.11/6300 | 3.32/3000 | 4.52/2200 | 5.72/1200 |
| 70° | 1.46/6300 | 2.28/3200 | 3.10/2200 | 3.92/1400 |
| 75° | 1.10/6300 | 1.73/3200 | 2.35/2200 | 2.97/1600 |

TGT 8000 20



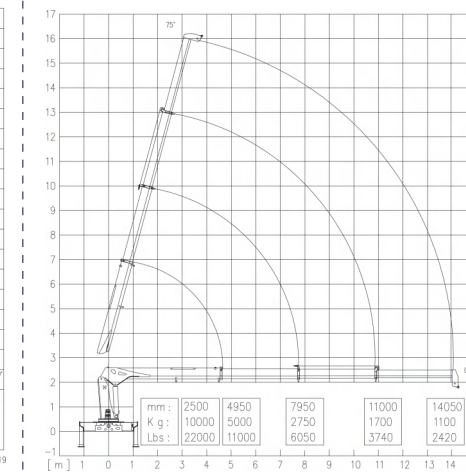
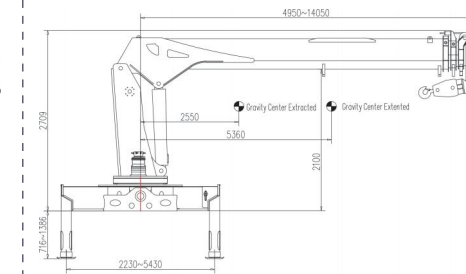
| Boom Angle | boom length | | | |
|------------|-------------|-------------|-------------|--------------|
| | 4.95 | 7.95 | 11.0 | 14.05 |
| 0° | 4.95 / 4000 | 7.95 / 2000 | 11.0 / 1300 | 14.05 / 900 |
| 10° | 4.87 / 4100 | 7.82 / 2000 | 10.8 / 1300 | 13.83 / 900 |
| 20° | 4.65 / 4300 | 7.47 / 2100 | 10.3 / 1300 | 13.20 / 960 |
| 30° | 4.28 / 4600 | 6.88 / 2300 | 9.52 / 1500 | 12.16 / 1000 |
| 40° | 3.78 / 5200 | 6.09 / 2600 | 8.42 / 1700 | 10.76 / 1200 |
| 50° | 3.20 / 6300 | 5.10 / 3100 | 7.06 / 2000 | 9.02 / 1400 |
| 60° | 2.47 / 8000 | 3.97 / 4000 | 5.50 / 3600 | 7.02 / 1800 |
| 70° | 1.69 / 8000 | 2.71 / 5900 | 3.76 / 3800 | 4.80 / 2700 |
| 75° | 1.28 / 8000 | 2.00 / 6500 | 2.84 / 3800 | 3.18 / 2700 |

TGT 8000 20



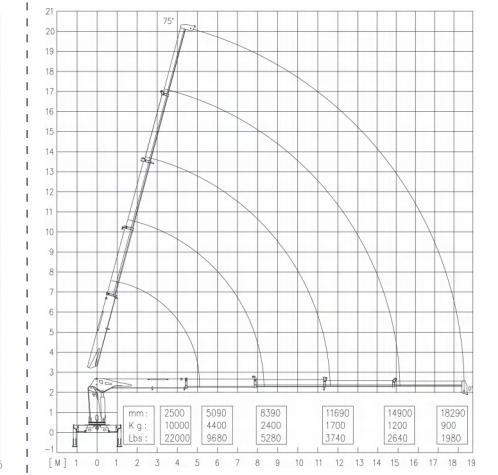
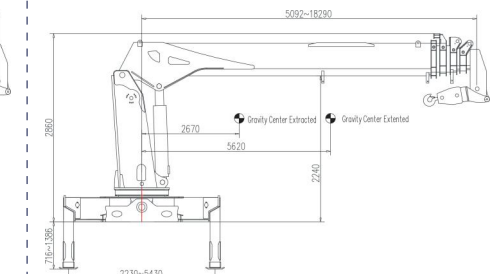
| Boom Angle | boom length (m) | | | | |
|------------|-----------------|-----------|------------|------------|------------|
| | 5.09 | 8.39 | 11.69 | 14.9 | 18.29 |
| 0° | 5.09/3800 | 8.39/2300 | 11.69/1600 | 14.90/940 | 18.29/650 |
| 10° | 5.01/3850 | 8.26/2330 | 11.51/1670 | 14.67/960 | 18.01/670 |
| 20° | 4.78/4030 | 7.88/2450 | 10.98/1750 | 14.00/1000 | 17.38/700 |
| 30° | 4.40/4350 | 7.26/2650 | 10.12/1900 | 12.90/1100 | 15.83/760 |
| 40° | 3.89/4950 | 6.42/3000 | 8.95/2150 | 11.41/1250 | 14.01/860 |
| 50° | 3.26/5900 | 5.38/3580 | 7.50/2570 | 9.56/1470 | 11.72/1050 |
| 60° | 2.54/7850 | 4.19/4600 | 5.84/3300 | 7.45/1890 | 9.14/1320 |
| 70° | 1.74/8000 | 2.86/6700 | 3.99/4820 | 5.09/2760 | 6.25/1920 |
| 75° | 1.31/8000 | 2.17/8000 | 3.02/6150 | 3.85/3650 | 4.73/2500 |

TGT 10000 25



| Boom Angle | boom length | | | |
|------------|--------------|-------------|-------------|--------------|
| | 4.95 | 7.95 | 11.0 | 14.05 |
| 0° | 4.95 / 5000 | 7.95 / 2750 | 11.0 / 1700 | 14.05 / 1100 |
| 10° | 4.87 / 5100 | 7.82 / 2794 | 10.8 / 1800 | 13.83 / 1200 |
| 20° | 4.65 / 5300 | 7.47 / 2900 | 10.3 / 1900 | 13.20 / 1200 |
| 30° | 4.28 / 5800 | 6.88 / 3200 | 9.52 / 2000 | 12.16 / 1300 |
| 40° | 3.78 / 6500 | 6.09 / 3600 | 8.42 / 2200 | 10.76 / 1500 |
| 50° | 3.17 / 7800 | 5.10 / 4400 | 7.06 / 2700 | 9.02 / 1800 |
| 60° | 2.47 / 10000 | 3.97 / 5300 | 5.50 / 3400 | 7.02 / 2300 |
| 70° | 1.69 / 10000 | 2.72 / 8000 | 3.76 / 5500 | 4.80 / 3400 |
| 75° | 1.28 / 10000 | 2.05 / 8000 | 2.84 / 5500 | 3.63 / 3400 |

TGT 10000 25



| Boom Angle | boom length (m) | | | | |
|------------|-----------------|------------|------------|------------|------------|
| | 5.09 | 8.39 | 11.69 | 14.9 | 18.29 |
| 0° | 5.09/4400 | 8.39/2400 | 11.69/1700 | 14.90/1200 | 18.29/900 |
| 10° | 5.01/4490 | 8.26/2450 | 11.51/1740 | 14.67/1220 | 18.01/910 |
| 20° | 4.78/4700 | 7.88/2570 | 10.98/1820 | 14.00/1280 | 17.38/960 |
| 30° | 4.40/5100 | 7.26/2780 | 10.12/1970 | 12.90/1390 | 15.83/1040 |
| 40° | 3.89/5770 | 6.42/3150 | 8.95/2230 | 11.41/1570 | 14.01/1180 |
| 50° | 3.26/6880 | 5.38/3760 | 7.50/2660 | 9.56/1880 | 11.72/1400 |
| 60° | 2.54/8850 | 4.19/4830 | 5.84/3400 | 7.45/2410 | 9.14/1800 |
| 70° | 1.74/10000 | 2.86/7000 | 3.99/5000 | 5.09/3530 | 6.25/2630 |
| 75° | 1.31/10000 | 2.17/10000 | 3.02/6600 | 3.85/4650 | 4.73/3500 |

| Item | Unit | TGT 6300 16 | TGT 6300 16 | TGT 8000 20 |
|---------------------------|-------|-------------|-------------|-------------|
| Max Lifting Capacity | Kg | 6300 | 6300 | 8000 |
| Max Lifting Moment | Ton.m | 16 | 16 | 20 |
| Recommend Power | KW | 22 | 22 | 27 |
| Hydraulic System Flow | L/Min | 40 | 40 | 55 |
| Hydraulic System Pressure | MPa | 20 | 20 | 24 |
| Coil Tank Capacity | L | 100 | 100 | 160 |
| Installation Space | mm | 900 | 900 | 1200 |
| Self Weight | Kg | 2350 | 2500 | 3800 |
| Rotation Angle | ° | 360° | 360° | 360° |

| Item | Unit | TGT 8000 20 | TGT 10000 25 | TGT 10000 25 |
|---------------------------|-------|-------------|--------------|--------------|
| Max Lifting Capacity | Kg | 8000 | 10000 | 10000 |
| Max Lifting Moment | Ton.m | 20 | 25 | 25 |
| Recommend Power | KW | 27 | 30 | 30 |
| Hydraulic System Flow | L/Min | 55 | 63 | 63 |
| Hydraulic System Pressure | MPa | 24 | 25 | 25 |
| Coil Tank Capacity | L | 160 | 160 | 160 |
| Installation Space | mm | 1200 | 1200 | 1200 |
| Self Weight | Kg | 4100 | 3890 | 4200 |
| Rotation Angle | ° | 360° | 360° | 360° |