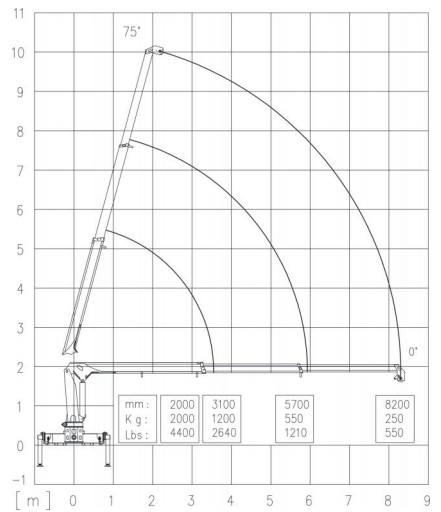
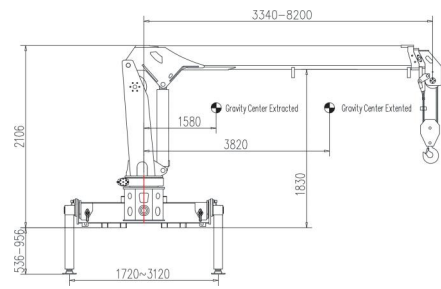


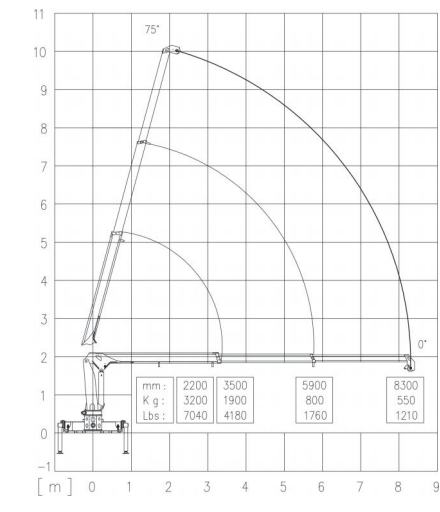
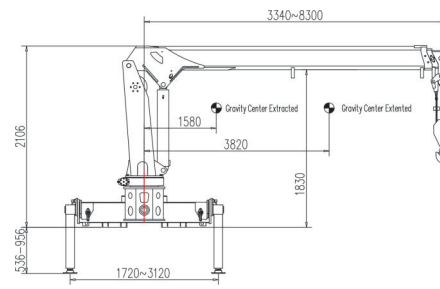
GRÚA TELESCÓPICA TGT

TGT 2000 4.2



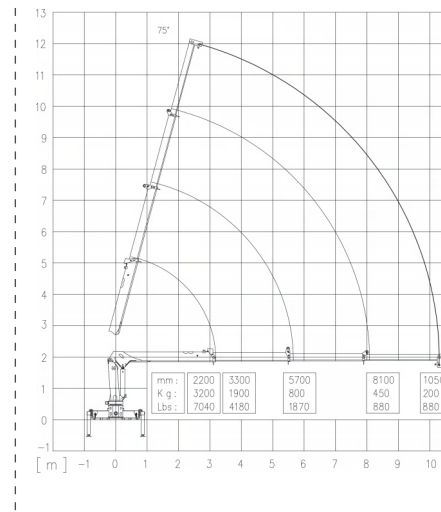
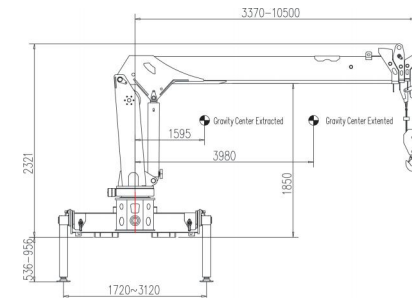
Boom Angle	boom length (m)		
	3.5	5.9	8.3
0°	3.50/1900	5.90/ 800	8.30/ 550
10°	3.45/2190	5.81/ 900	8.17/ 600
20°	3.29/2190	5.54/1050	7.80/ 700
30°	3.03/2480	5.11/ 1230	7.18/ 780
40°	2.68/2960	4.52/1390	6.36/ 890
50°	2.25/3200	3.78/1660	5.33/1060
60°	1.75/3200	2.95/2130	4.15/1360
70°	1.19/3200	2.02/3120	2.84/1990
75°	0.91/3200	1.52/3200	2.15/2640

TGT 3200 7



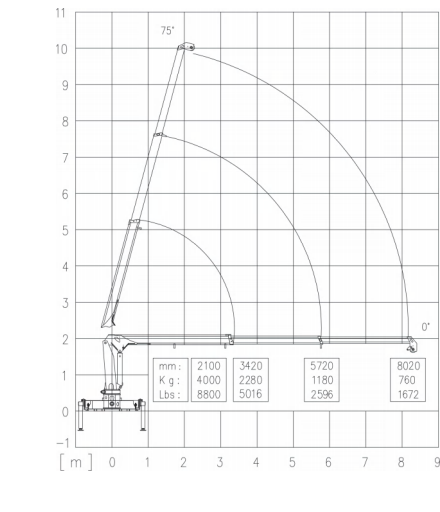
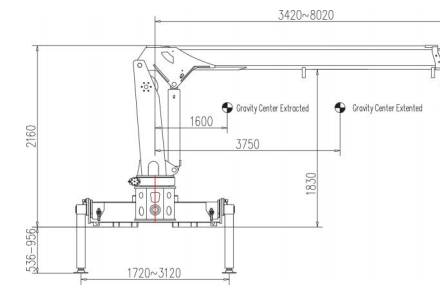
Boom Angle	boom length (m)		
	3.5	5.9	8.3
0°	3.50/1900	5.90/ 800	8.30/ 550
10°	3.45/2190	5.81/ 900	8.17/ 600
20°	3.29/2190	5.54/1050	7.80/ 700
30°	3.03/2480	5.11/ 1230	7.18/ 780
40°	2.68/2960	4.52/1390	6.36/ 890
50°	2.25/3200	3.78/1660	5.33/1060
60°	1.75/3200	2.95/2130	4.15/1360
70°	1.19/3200	2.02/3120	2.84/1990
75°	0.91/3200	1.52/3200	2.15/2640

TGT 3200 7



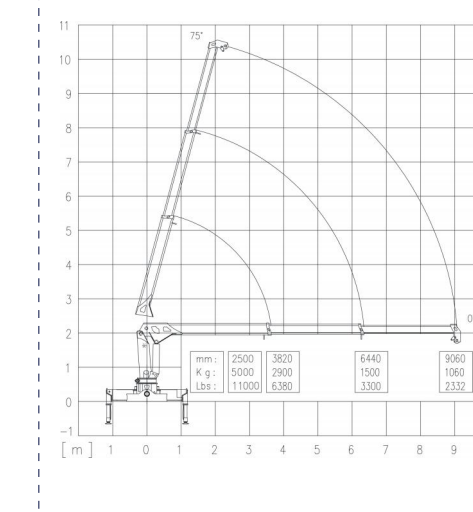
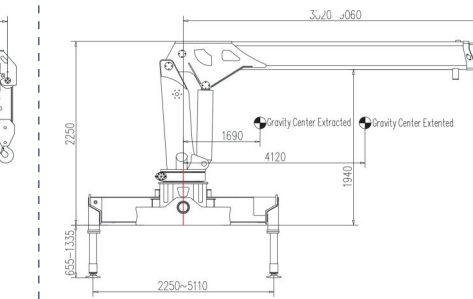
Boom Angle	boom length (m)			
	3.3	5.7	8.1	10.5
0°	3.3/1900	5.70/800	8.10/550	10.5/200
10°	3.25/1940	5.61/823	7.97/580	10.3/270
20°	3.10/2030	5.35/860	7.61/600	9.86/280
30°	2.85/2200	4.93/940	7.01/660	9.09/300
40°	2.52/2490	4.36/1050	6.20/890	8.04/350
50°	2.11/3200	3.65/1260	5.20/750	6.74/420
60°	1.65/3200	2.85/1600	4.05/880	5.25/533
70°	1.12/3200	1.94/2370	2.77/1150	3.59/780
75°	0.85/3200	1.47/2500	2.09/1600	2.71/1030

TGT 4000 8.4



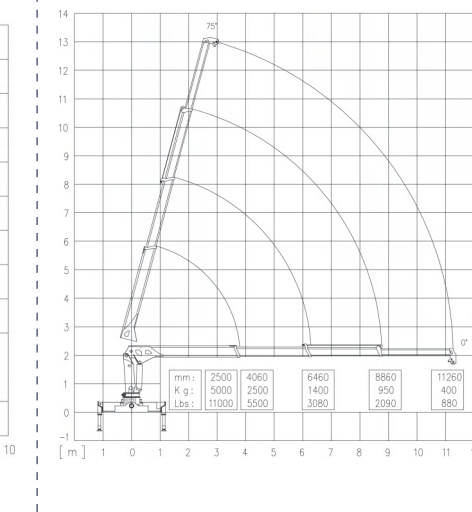
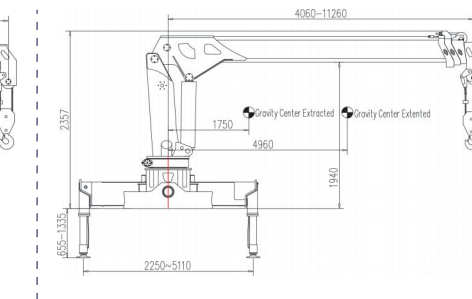
Boom Angle	boom length (m)			
	3.42	5.72	8.02	
0°	3.42/2280	5.72/1180	8.02/760	
10°	3.36/2300	5.63/1200	7.89/770	
20°	3.21/2400	5.37/1250	7.53/810	
30°	2.96/2630	4.95/1350	6.94/880	
40°	2.62/3000	4.38/1550	6.14/995	
50°	2.19/3650	3.67/1850	5.15/1200	
60°	1.71/4000	2.86/2380	4.01/1520	
70°	1.17/4000	1.95/3500	2.74/2230	
75°	0.88/4000	1.48/3500	2.07/2800	

TGT 5000 12.5



Boom Angle	boom length (m)		
	3.82	6.44	9.06
0°	3.82/2900	6.44/1500	9.06/1060
10°	3.76/3000	6.34/1550	8.92/1100
20°	3.58/3200	6.05/1700	8.51/1150
30°	3.30/3500	5.57/2000	7.85/1250
40°	2.92/4400	4.93/2200	6.94/1400
50°	2.45/5000	4.13/2600	5.82/1550
60°	1.91/5000	3.22/2900	4.53/1700
70°	1.30/5000	2.20/3200	3.01/1850
75°	0.99/5000	1.67/3200	2.35/1950

TGT 5000 12.5



Boom Angle	boom length (m)				
	4.06	6.46	8.86	11.26	
0°	4.06/2500	6.46/1400	8.86/950	11.26/400	
10°	3.99/2550	6.36/1450	8.72/1000	11.08/420	
20°	3.81/2750	6.07/1500	8.32/1050	10.58/440	
30°	3.51/3130	5.59/1650	7.67/1150	9.75/470	
40°	3.11/3650	4.95/1900	6.78/1250	8.62/530	
50°	2.60/4500	4.15/2250	5.68/1450	7.22/650	
60°	2.03/5000	3.23/2750	4.43/1720	5.63/850	
70°	1.38/5000	2.21/2900	3.03/1800	3.85/1200	
75°	1.05/5000	1.67/2900	2.29/1800	2.91/1250	

Item	Unit	TGT 2000 4.2	TGT 3200 7	TGT 3200 7
Max Lifting Capacity	Kg	2000	3200	3200
Max Lifting Moment	Ton.m	4.2	7	7
Recommend Power	KW	8	14	14
Hydraulic System Flow	L/Min	20	25	25
Hydraulic System Pressure	MPa	16	20	20
Coil Tank Capacity	L	35	60	60
Installation Space	mm	650	750	750
Self Weight	Kg	650	1280	1350
Rotation Angle	°	360°	360°	360°

Item	Unit	TGT 4000 8.4	TGT 5000 12.5	TGT 5000 12.5
Max Lifting Capacity	Kg	4000	5000	5000
Max Lifting Moment	Ton.m	8.4	12.5	12.5
Recommend Power	KW	16	18	18
Hydraulic System Flow	L/Min	25	32	32
Hydraulic System Pressure	MPa	20	20	20
Coil Tank Capacity	L	60	100	100
Installation Space	mm	750	850	850
Self Weight	Kg	1300	2100	2200
Rotation Angle	°	360°	360°	360°