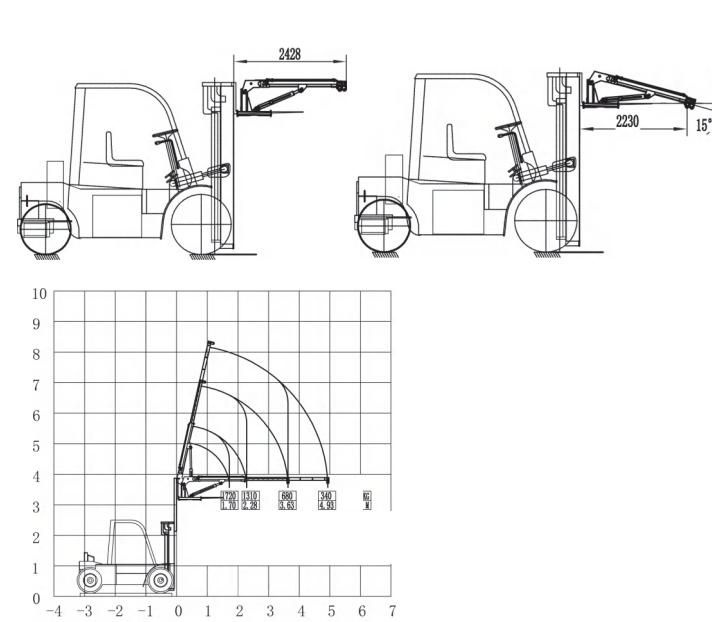


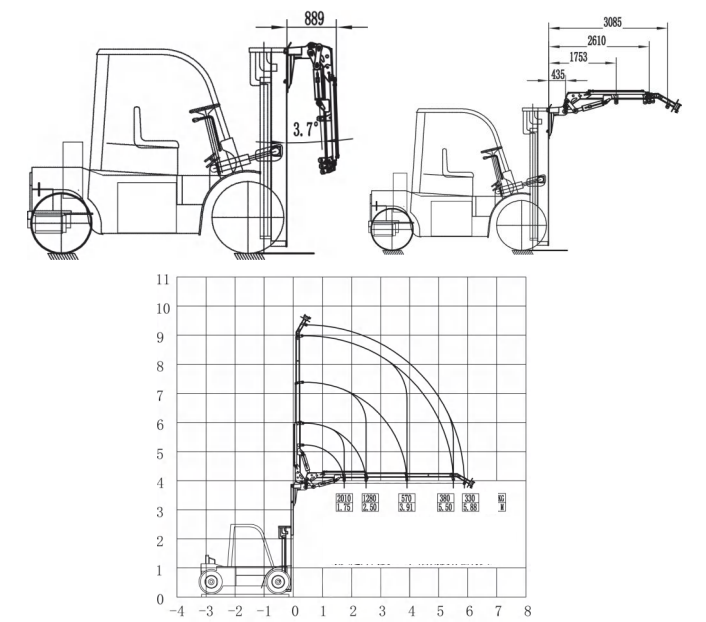


## ACCESORIO PARA FORKLIFT TFLC

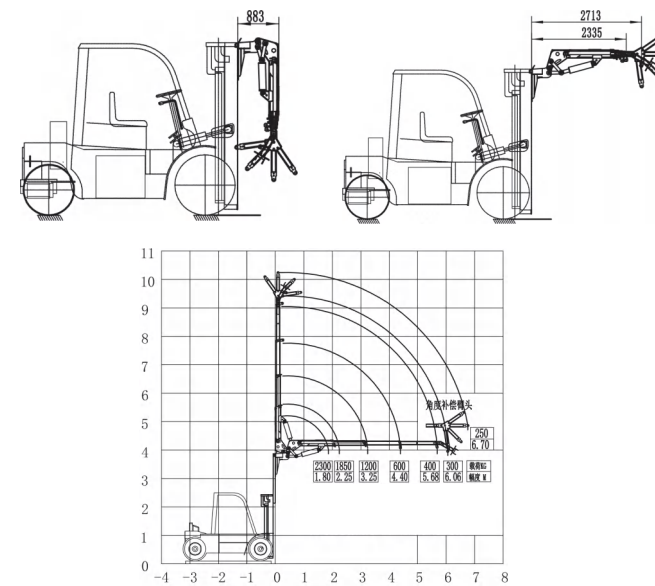
TFLC 55 1



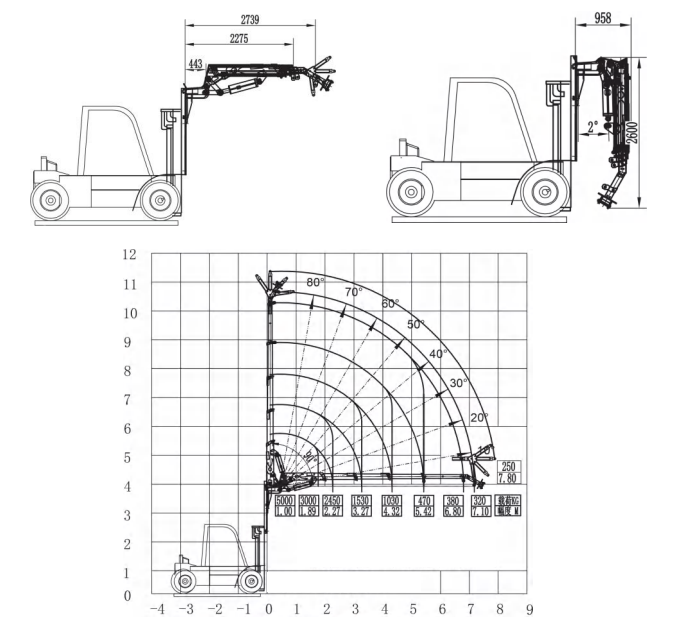
TFLC 75 1



TFLC 85 1



TFLC 105 1



Item	Unit	TFLC 55 1	TFLC 75 1	TFLC 85 1	TFLC 105 1
Max Lifting Capacity	Kg	1700	2010	2300	3000
Max Lifting Moment	KN.m	25	35	40	60
Max working range	Mm	4930	5880	6700	7800
Max lifting height	Mm	8500 (3M)	9300 (3M)	10200 (3M)	11200 (3M)
		10000(4.5M)	10800(4.5M)	11700(4.5M)	12700(4.5M)
Rated working pressure	MPa	20	20	20	20
Rated flow rate	L/min	40	40	40	60
Min Operating Range	Mm	2230	1750	2250	2275
Crane quality	Kg	330	425	520	730
Matching forklifts	T	2T 3T 5T	3T 5T 7T	3T 5T 7T	5T 7T