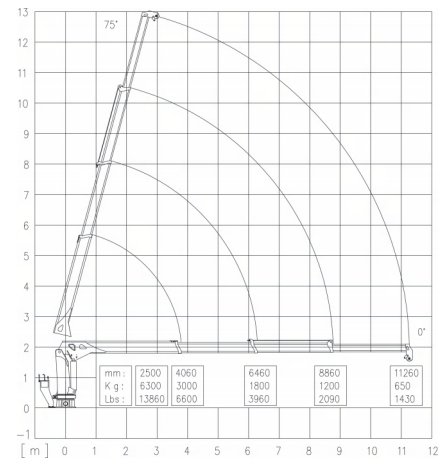
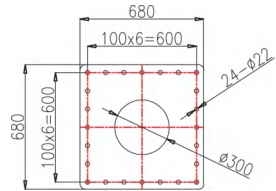
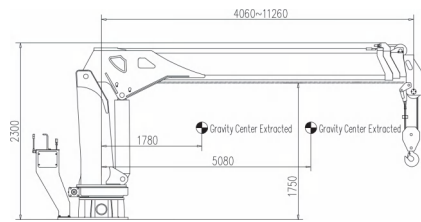
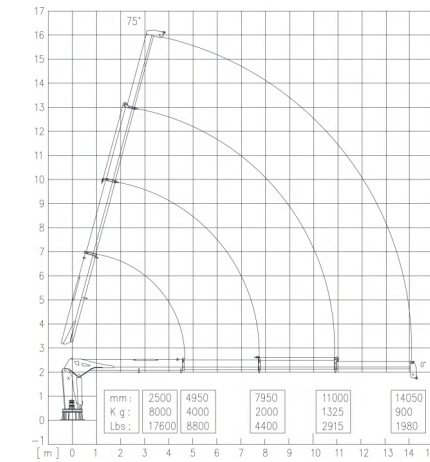
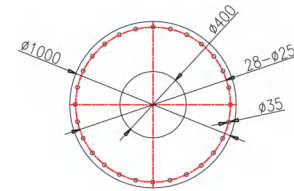
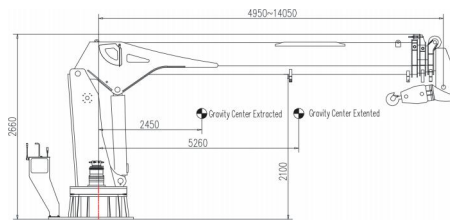


TGMT 6300 16



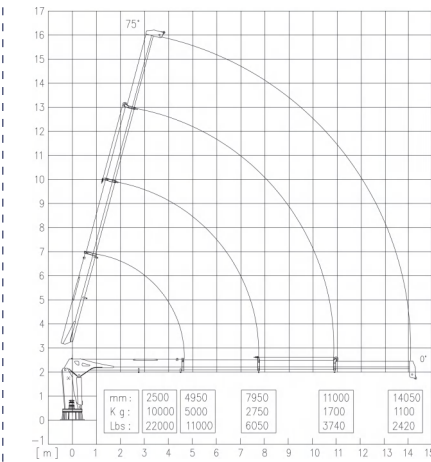
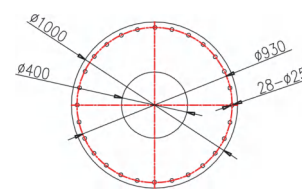
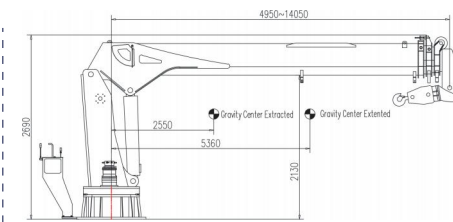
Boom Angle	boom length (m)			
	4.06	6.46	8.86	11.26
	Working Radius(m)/Lifting Capacity(kg)			
0°	4.06/3600	6.46/1800	8.86/1200	11.26/650
10°	4.04/3800	6.40/1900	8.76/1200	11.13/650
20°	3.88/4050	6.13/2000	8.39/1300	10.65/700
30°	3.60/4350	5.68/2200	7.76/1500	9.83/800
40°	3.20/4850	5.04/2400	6.88/1700	8.72/900
50°	2.71/5800	4.25/2800	5.79/2000	7.33/1000
60°	2.11/6300	3.32/3000	4.52/2200	5.72/1200
70°	1.46/6300	2.28/3200	3.10/2200	3.92/1400
75°	1.10/6300	1.73/3200	2.35/2200	2.97/1600

TGMT 8000 20



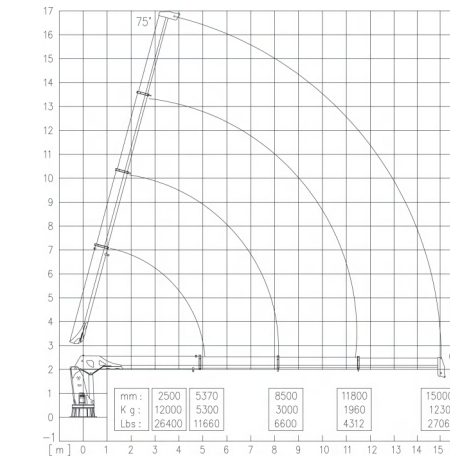
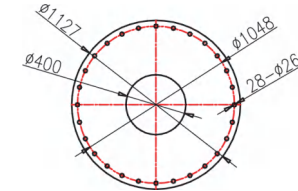
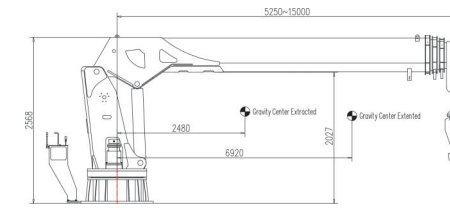
Boom Angle	boom length (m)			
	4.95	7.95	11.0	14.05
	Working Radius(m)/Lifting Capacity(kg)			
0°	4.95/4000	7.95/2000	11.0/1300	14.05/900
10°	4.87/4100	7.82/2000	10.8/1300	13.83/900
20°	4.65/4300	7.47/2100	10.3/1300	13.20/960
30°	4.28/4600	6.88/2300	9.52/1500	12.16/1000
40°	3.79/5200	6.09/2600	8.42/1700	10.76/1200
50°	3.20/6300	5.10/3100	7.06/2000	9.02/1400
60°	2.47/8000	3.97/4000	5.50/2600	7.02/1800
70°	1.69/10000	2.72/8000	3.76/3800	4.80/2700
75°	1.28/8000	2.00/6500	2.84/3800	3.18/2700

TGMT 10000 25



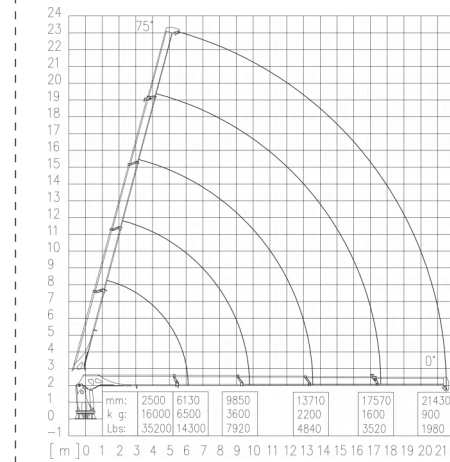
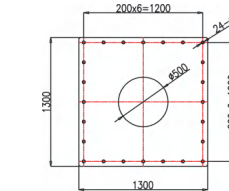
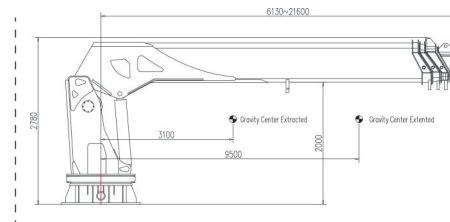
Boom Angle	boom length (m)			
	4.95	7.95	11.0	14.05
	Working Radius(m)/Lifting Capacity(kg)			
0°	4.95/5000	7.95/2750	11.0/1700	14.05/1100
10°	4.87/5100	7.28/2794	10.8/1800	13.83/1200
20°	4.65/5300	7.47/2900	10.3/1900	13.20/1200
30°	4.28/5800	6.88/3200	9.52/2000	12.16/1300
40°	3.79/6500	6.09/3600	8.42/2200	10.76/1500
50°	3.17/7800	5.10/4400	7.06/2700	9.02/1800
60°	2.47/10000	3.97/5300	5.50/3400	7.02/2300
70°	1.69/10000	2.72/8000	3.76/5500	4.80/3400
75°	1.28/10000	2.05/8000	2.84/5500	3.63/3400

TGMT 12000 30



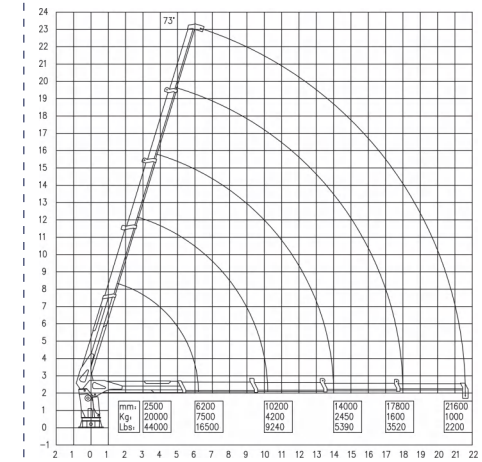
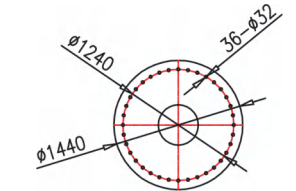
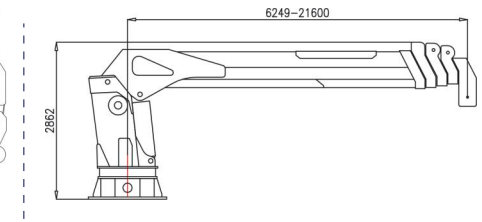
Boom Angle	boom length (m)			
	5.37	8.5	11.8	15.0
	Working Radius(m)/Lifting Capacity(kg)			
0°	5.37/5300	8.50/3000	11.8/1960	15.00/1230
10°	5.28/5390	7.98/3100	11.6/2000	14.77/1260
20°	5.04/5650	7.36/3200	11.0/2100	14.09/1330
30°	4.65/6150	6.51/3950	10.2/2250	12.99/1450
40°	4.11/6650	5.61/4700	9.03/2550	11.49/1600
50°	3.44/8200	4.55/4700	7.57/3000	9.63/1950
60°	2.68/10800	4.25/6000	5.90/3900	7.50/2500
70°	1.83/12000	2.90/8800	4.03/5700	5.13/3650
75°	1.39/12000	2.20/12000	3.05/7500	3.88/5000

TGMT 16000 50



Boom Angle	boom length (m)				
	6.13	9.85	13.71	17.57	21.43
	Working Radius(m)/Lifting Capacity(kg)				
0°	6.13/6500	9.85/3600	13.71/2200	17.57/950	21.43/900
10°	6.07/6600	9.70/3650	13.50/2250	17.30/1000	17.98/950
20°	5.76/6800	9.25/3830	12.88/2360	16.50/1050	17.15/990
30°	5.30/7380	8.53/4160	11.87/2560	15.21/1150	15.81/1080
40°	4.69/8350	7.54/4700	10.50/2900	13.49/1250	13.98/1220
50°	3.95/9960	6.32/5600	8.80/3450	11.28/1450	11.72/1450
60°	3.06/13000	4.92/7200	6.85/4450	8.78/1720	9.13/1870
70°	2.09/16000	3.36/10500	4.69/6500	6.00/1800	6.24/2730
75°	1.58/16000	2.55/15000	3.54/8500	4.55/1800	4.72/3500

TGMT 20000 50



Boom Angle	boom length (m)				
	6.2	10.2	14	17.8	21.6
	Working Radius(m)/Lifting Capacity(kg)				
0°	6.20/7500	10.2/4200	14.0/2450	17.8/1600	21.6/1000
10°	6.00/7500	10.0/4800	13.8/2700	17.5/1750	21.3/1000
20°	5.80/8000	9.60/5500	13.2/2900	16.8/1880	20.3/1300
30°	5.40/9000	8.80/6200	12.2/3200	15.4/1950	18.7/1430
40°	4.70/11000	7.80/6400	10.6/3700	13.5/2200	16.5/1700
50°	4.00/12500	6.50/7800	9.00/5500	11.4/2650	13.8/1950
60°	3.00/17000	5.00/9600	7.00/6350	8.80/4100	10.7/3000
70°	2.00/20000	3.50/12500	4.50/7600	6.00/4900	7.20/3500
75°	1.95/20000	3.00/14000	4.00/8000	5.50/5200	6.50/3600

Item	Unit	TGMT 6300 16	TGMT 8000 20	TGMT 10000 25
Max Lifting Capacity	Kg	6300	8000	10000
Max Lifting Moment	Ton.m	16	20	25
Recommend Power	KW	22	27	30
Hydraulic System Flow	L/Min	40		