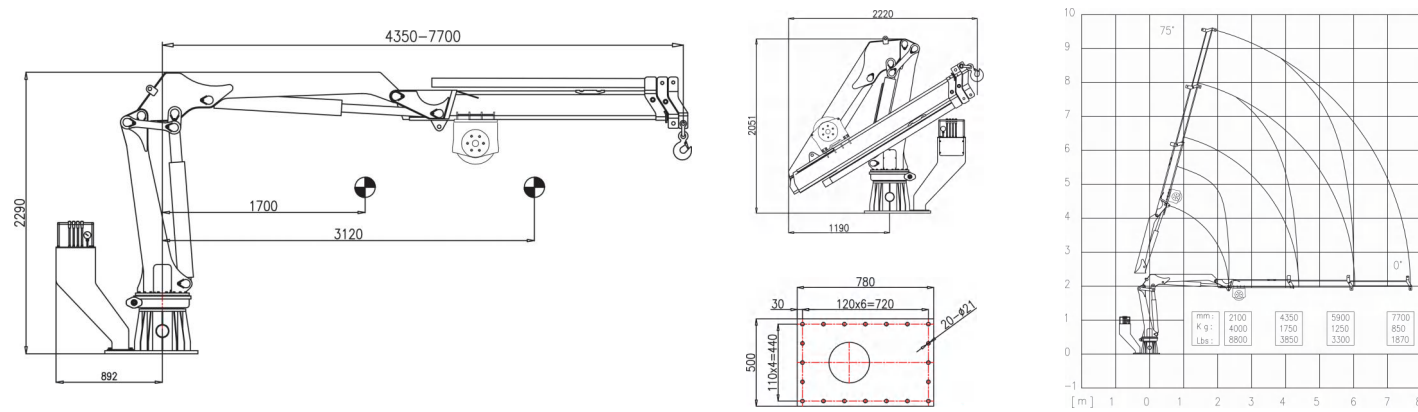
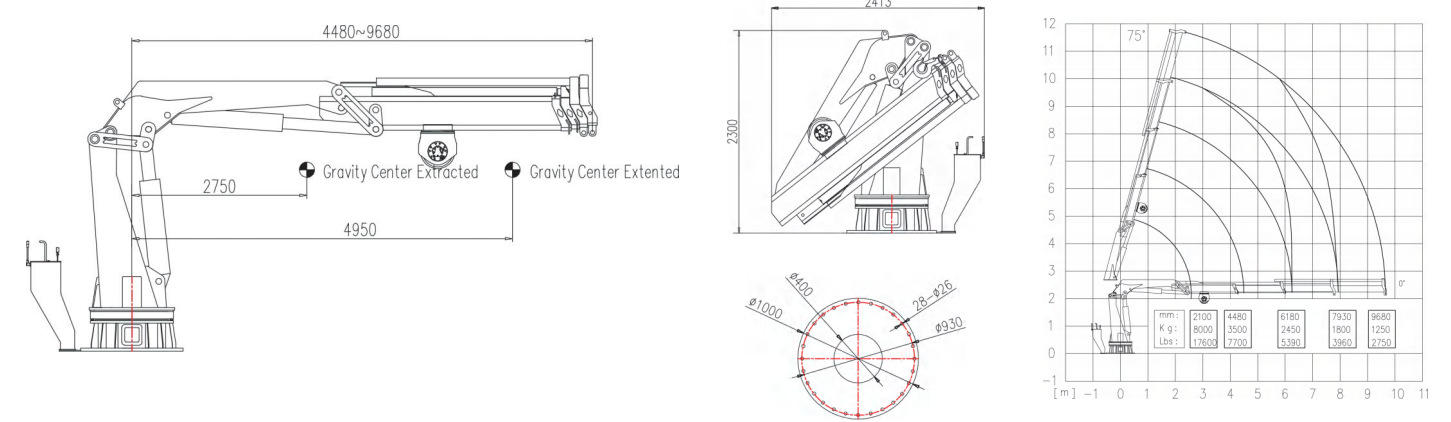


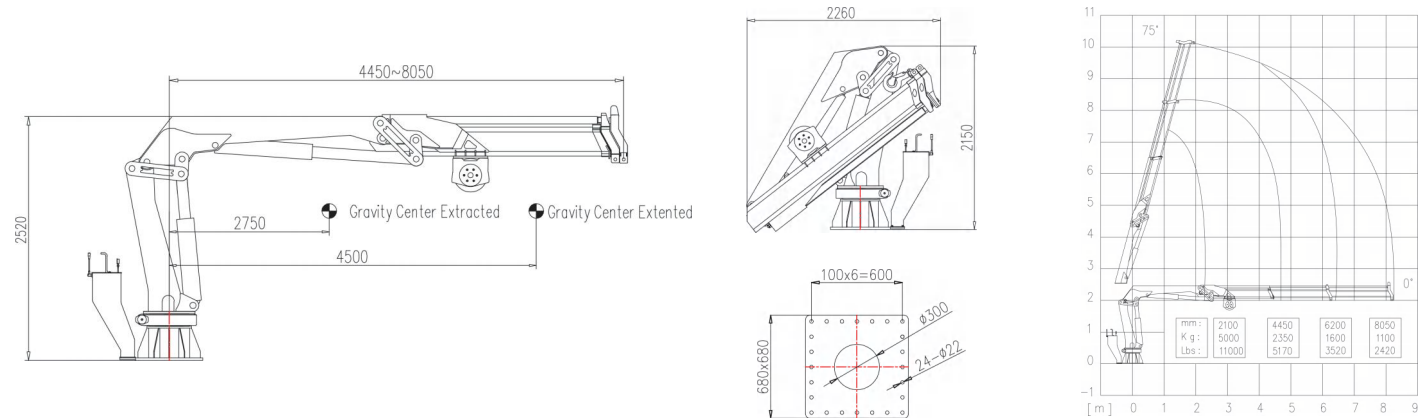
## TGM 4000 8.4



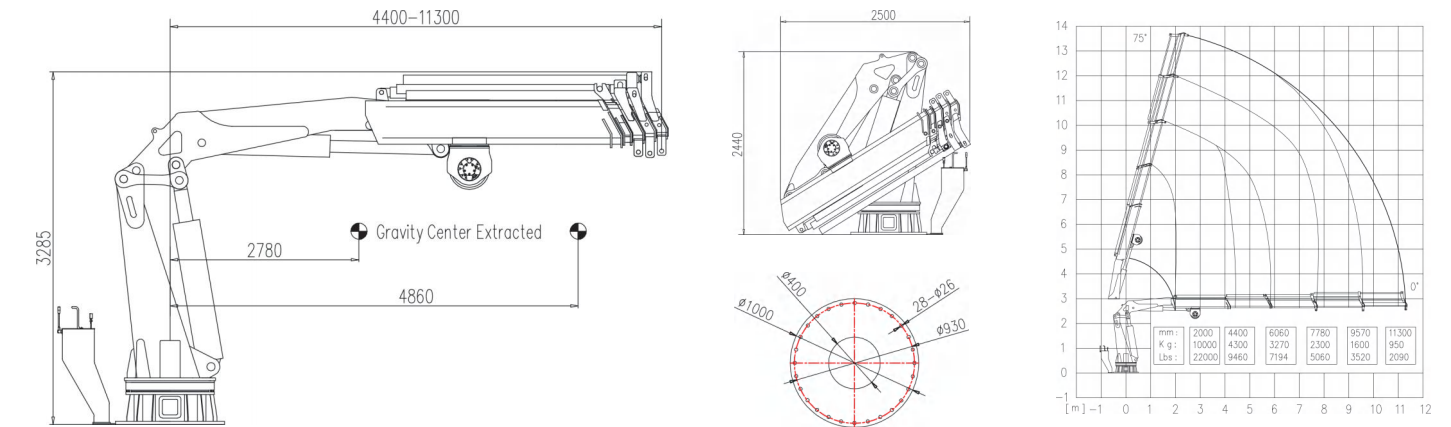
## TGM 8000 16



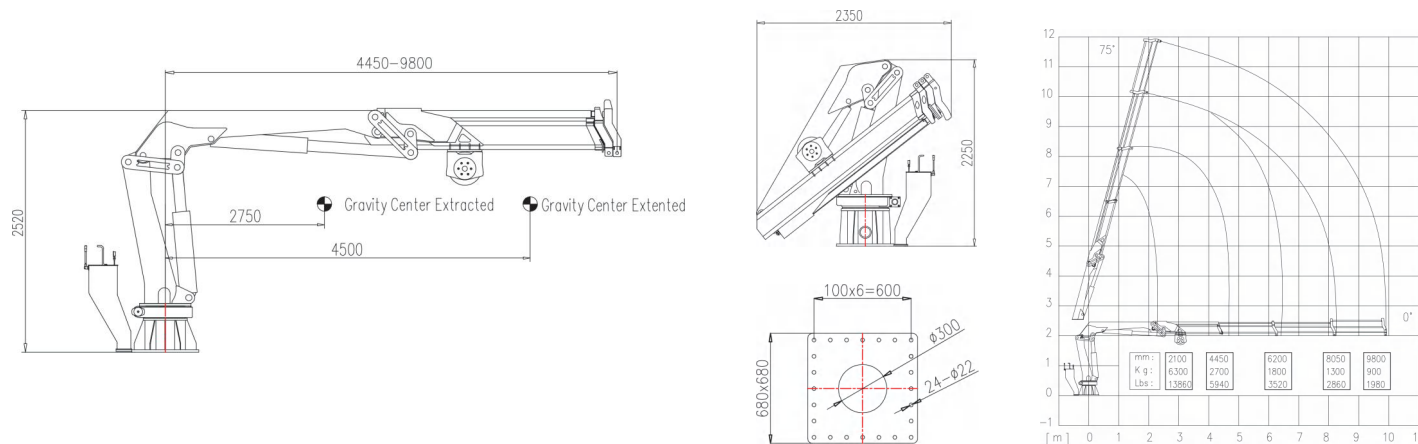
## TGM 5000 10.5



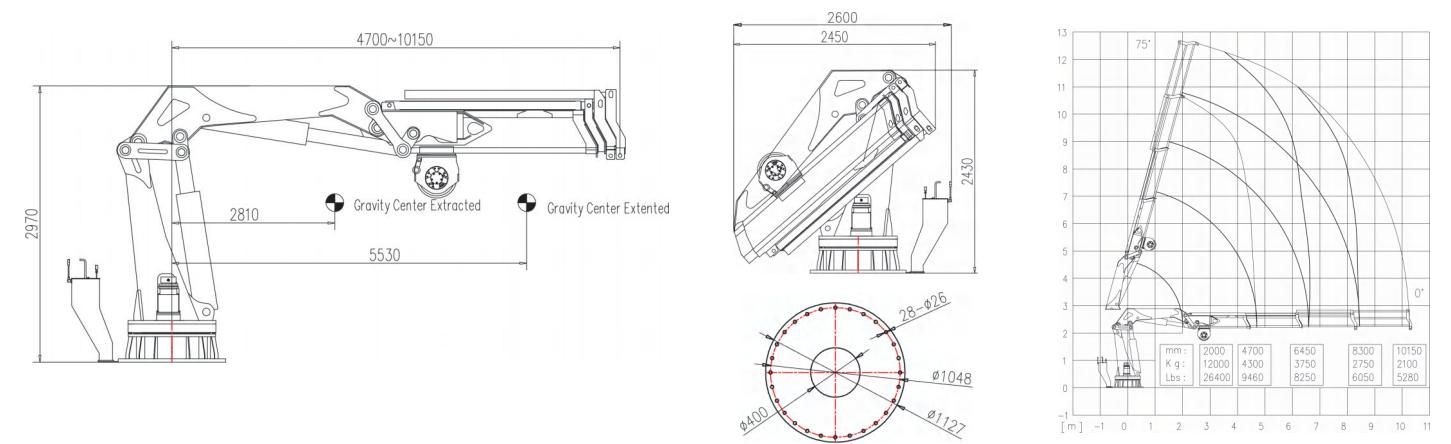
## TGM 10000 20



## TGM 6300 13



## TGM 12000 27



Item	Unit	TGM 4000 8.4	TGM 5000 10.5	TGM 6300 13
Max Lifting Capacity	Kg	4000	5000	6300
Max Lifting Moment	Ton.m	8.4	10.5	13
Recommend Power	KW	14	18	22
Hydraulic System Flow	L/Min	25	35	35
Hydraulic System Pressure	MPa	26	28	28
Coil Tank Capacity	L	60	100	100
Self Weight	Kg	1430	1680	2210
Rotation Angle	°	360°	360°	360°

Item	Unit	TGM 8000 16	TGM 10000 20	TGM 12000 27
Max Lifting Capacity	Kg	8000	10000	12000
Max Lifting Moment	Ton.m	16	20	27
Recommend Power	KW	25	30	30
Hydraulic System Flow	L/Min	40	40	55
Hydraulic System Pressure	MPa	28	28	28
Coil Tank Capacity	L	160	160	160
Self Weight	Kg	2550	3800	3950
Rotation Angle	°	360°	360°	360°