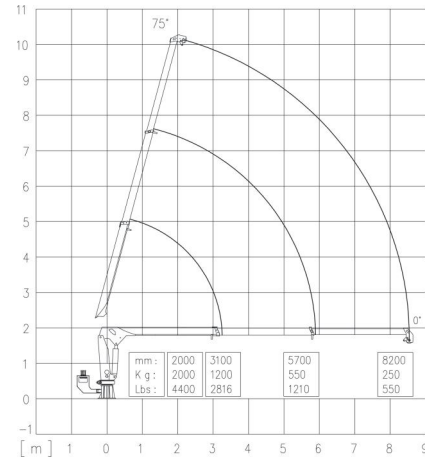
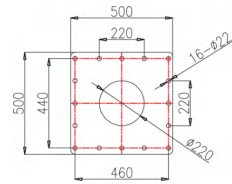
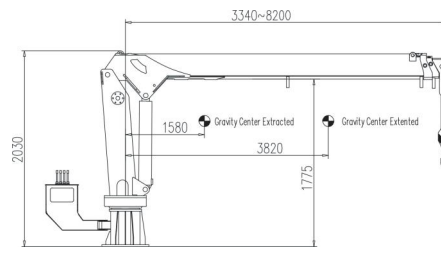


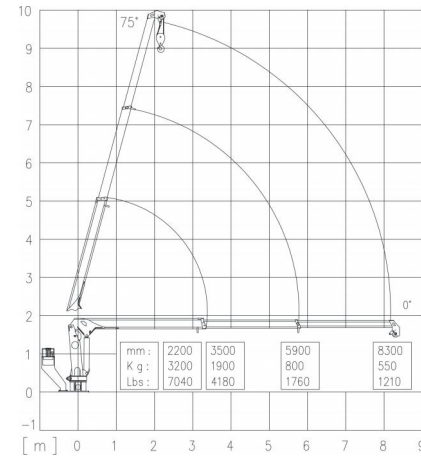
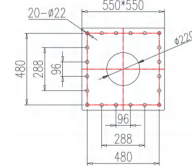
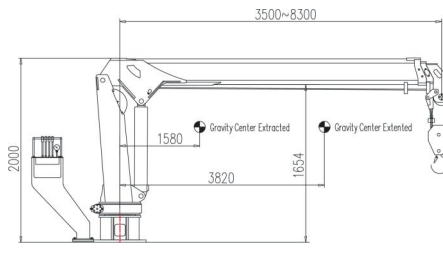
# GRÚA MARÍTIMA TELESCÓPICA TGMT

## TGMT 2000 4.2



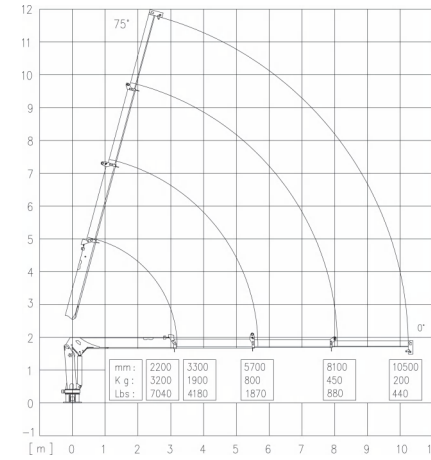
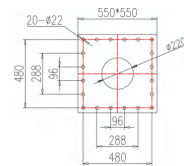
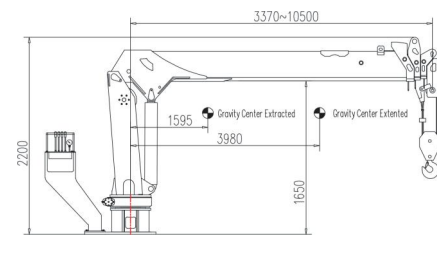
Boom Angle	boom length (m)		
	3.1	5.7	8.2
0°	3.10/1200	5.70/550	8.20/250
10°	3.05/1300	5.61/600	8.07/350
20°	2.91/1500	5.35/700	7.70/500
30°	2.68/1600	4.93/800	7.10/600
40°	2.37/1700	4.36/900	6.28/700
50°	1.99/1900	3.66/1000	5.26/800
60°	1.55/2000	2.85/1100	4.10/900
70°	1.06/2000	1.95/1200	2.80/900
75°	0.82/2000	1.47/1200	2.12/900

## TGMT 3200 6.8



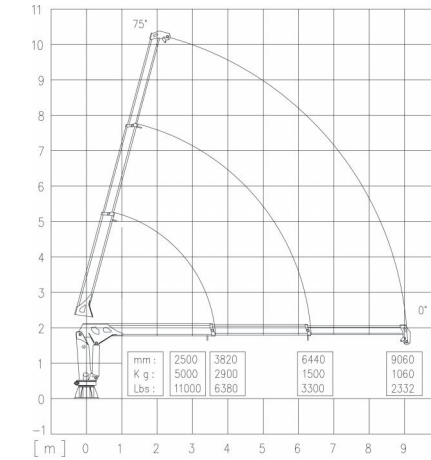
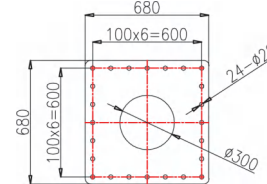
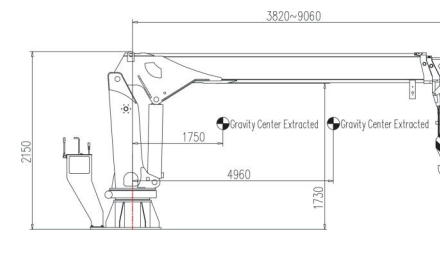
Boom Angle	boom length (m)		
	3.5	5.9	8.3
0°	3.50/1900	5.90/800	8.30/550
10°	3.45/2190	5.81/900	8.17/600
20°	3.29/2190	5.54/1050	7.80/700
30°	3.03/2480	5.11/1230	7.18/780
40°	2.68/2960	4.52/1390	6.36/890
50°	2.25/3200	3.78/1660	5.33/1060
60°	1.75/3200	2.95/2130	4.15/1360
70°	1.19/3200	2.02/3120	2.84/1990
75°	0.91/3200	1.52/3200	2.15/2640

## TGMT 3200 6.8 1



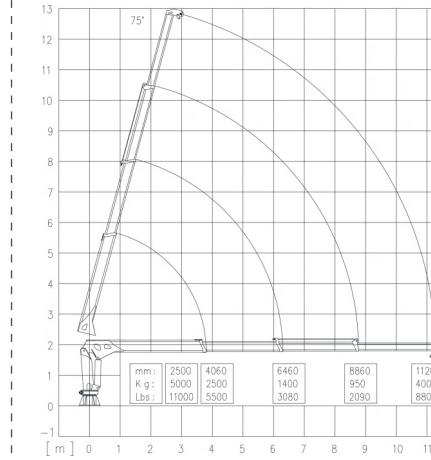
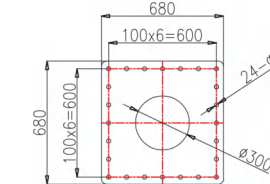
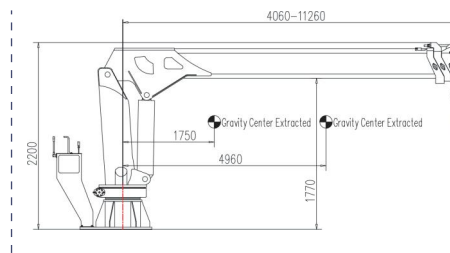
Boom Angle	boom length (m)			
	3.3	5.7	8.1	10.5
0°	3.30/1900	5.70/800	8.10/550	10.5/200
10°	3.25/1940	5.61/823	7.97/580	10.3/270
20°	3.10/2030	5.35/860	7.61/600	9.86/280
30°	2.85/2200	4.93/940	7.01/660	9.09/300
40°	2.52/2490	4.36/1050	6.20/890	8.04/350
50°	2.11/3200	3.65/1260	5.20/750	6.74/420
60°	1.65/3200	2.85/1600	4.05/880	5.25/533
70°	1.12/3200	1.94/2370	2.77/1150	3.59/780
75°	0.85/3200	1.47/2500	2.09/1600	2.71/1030

## TGMT 5000 12.5



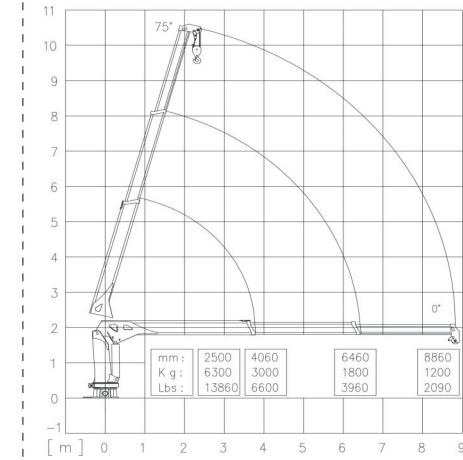
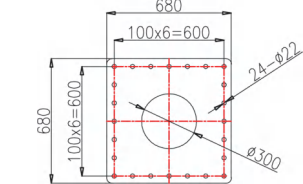
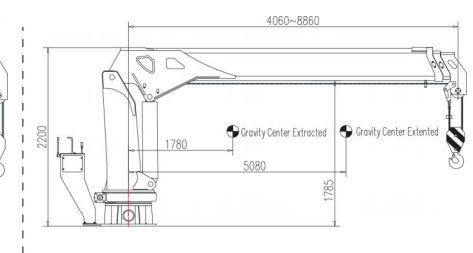
Boom Angle	boom length (m)		
	3.82	6.44	9.06
0°	3.82/2900	6.44/1500	9.06/1060
10°	3.76/3000	6.34/1550	8.92/1100
20°	3.58/3200	6.05/1700	8.51/1150
30°	3.30/3500	5.57/2000	7.85/1250
40°	2.92/4400	4.93/2200	6.94/1400
50°	2.45/5000	4.13/2600	5.82/1550
60°	1.91/5000	3.22/2900	4.53/1700
70°	1.30/5000	2.20/3200	3.01/1850
75°	0.99/5000	1.67/3200	2.35/1950

## TGMT 5000 12.5



Boom Angle	boom length (m)			
	4.06	6.46	8.86	11.26
0°	4.06/2500	6.46/1400	8.86/950	11.26/400
10°	3.99/2550	6.36/1450	8.72/1000	11.08/420
20°	3.81/2750	6.07/1500	8.32/1050	10.58/440
30°	3.51/3130	5.59/1650	7.67/1150	9.75/470
40°	3.11/3650	4.95/1900	6.78/1250	8.62/530
50°	2.60/4500	4.15/2250	5.68/1450	7.22/650
60°	2.03/5000	3.23/2750	4.43/1720	5.63/850
70°	1.38/5000	2.21/2900	3.03/1800	3.85/1200
75°	1.05/5000	1.67/2900	2.09/1800	2.91/1250

## TGMT 6300 16



Boom Angle	boom length (m)		
	4.06	6.46	8.86
0°	4.06/3600	6.46/1800	8.86/1200
10°	4.04/3800	6.40/1900	8.76/1200
20°	3.88/4050	6.13/2000	8.39/1300
30°	3.60/4350	5.68/2200	7.76/1500
40°	3.20/4850	5.04/2400	6.88/1700
50°	2.71/5800	4.25/2800	5.79/2000
60°	2.11/6300	3.32/3000	4.52/2200
70°	1.46/6300	2.28/3200	3.10/2200
75°	1.10/6300	1.73/3200	2.35/2200

Item	Unit	TGMT 2000 4.2	TGMT 3200 6.8	TGMT 3200 6.8 1
Max Lifting Capacity	Kg	2000	3200	3200
Max Lifting Moment	Ton.m	4.2	6.8	6.8
Recommend Power	KW	8	14	14
Hydraulic System Flow	L/Min	25	25	25
Hydraulic System Pressure	MPa	16	20	20
Coil Tank Capacity	L	60	60	60
Self Weight	Kg	1000	1050	1250
Rotation Angle	°	360°	360°	360°

Item	Unit	TGMT 5000 12.5	TGMT 5000 12.5	TGMT 6300 16
Max Lifting Capacity	Kg	5000	5000	6300
Max Lifting Moment	Ton.m	12.5	12.5	16
Recommend Power	KW	18	18	22
Hydraulic System Flow	L/Min	32	32	40
Hydraulic System Pressure	MPa	20	20	20
Coil Tank Capacity	L	100	100	100
Self Weight	Kg	1850	2050	1950
Rotation Angle	°	360°	360°	360°